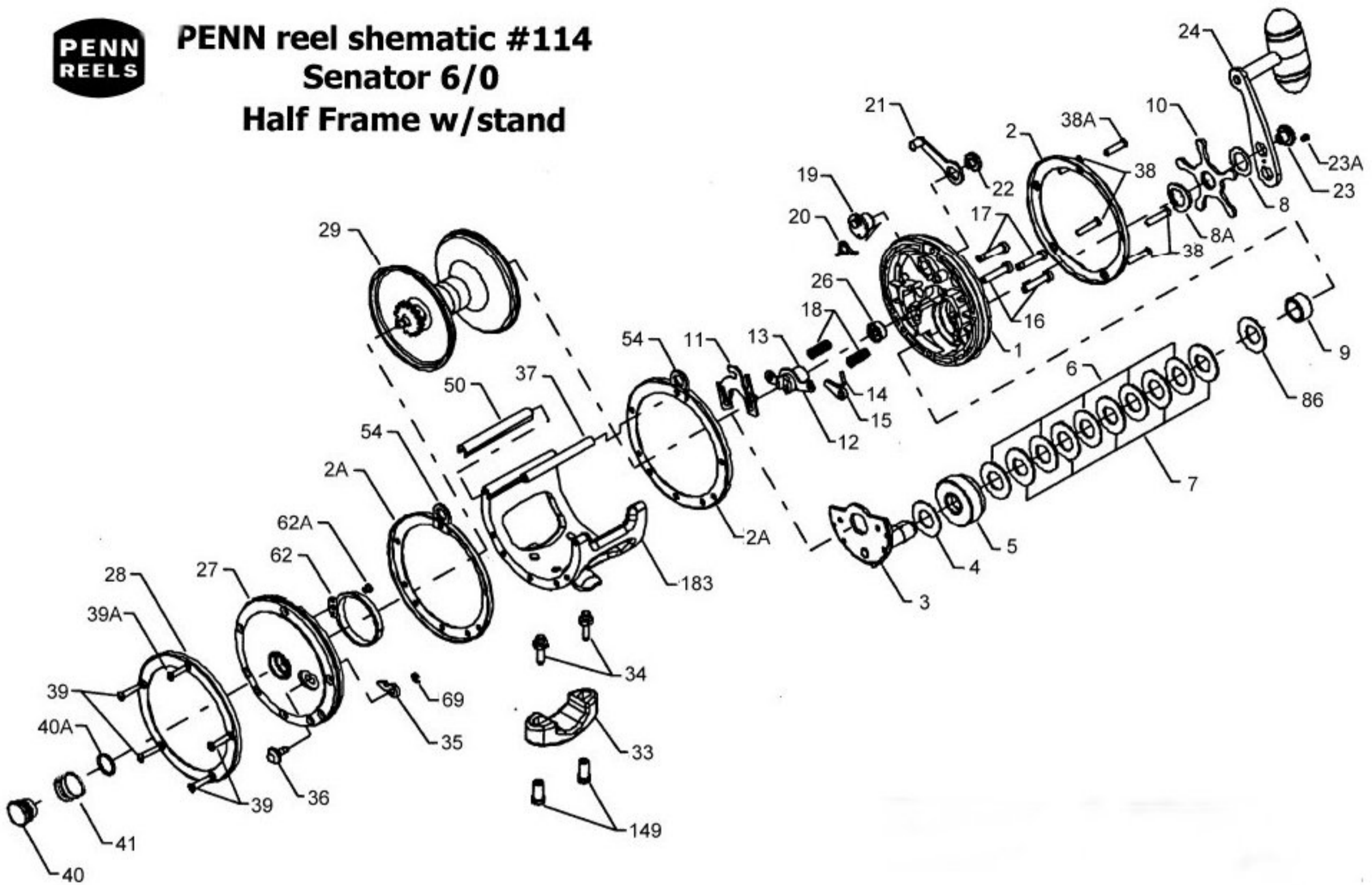




PENN reel schematic #114
Senator 6/0
Half Frame w/stand



Penn Reel Parts list for:

KEY NO.	PART NO.	DESCRIPTION
1	1-114	Right Side Plate
2	2N-114	Right Side Ring
2A	2A2-114	Inner Ring
3	3-114	Bridge with Sleeve
4	4-114	Fiber Washer
5	5-114	Main Gear
6	6-114	Drag Washer
7	7C-114	Metal Drag Washer Set
8	8-114	Tension Spring
8A	8-115	Tension Spring
9	9N-114	Spacing Sleeve
10	10-114	Star Drag Wheel
11	11-114	Eccentric Jack
12	12-114	Pinion Yoke
13	13-114	Pinion
14	14-114	Dog Spring
15	15-114	Dog
16	16-114	Bridge Screw Lower (2 Required)
17	17-114	Bridge Screw Upper (2 Required)
18	18-114	Clutch Spring
19	19-114	Eccentric
20	20-114	Eccentric Spring
21	21-114	Eccentric Lever
22	23-60	Eccentric Screw
23	23-116	Handle Screw
23A	110-60	Handle Lock Screw
24	24-57	Handle
26	26-114	Bearing Right Side
27	27-114	Left Side Plate
29	29M-114	Spool
33	33-340	Rod Clamp
34	34-975	Clamp Screw (2 Required)
35	35-114	Click Tongue
36	36-114H	Click Button
37	37-114	Frame Post
38	38-114	R.S. Frame Screw (4req)
38A	39-12	R.S. Post Screw
39	39-114	L.S. Frame Screw (4 req)
39A	32-21	L.S. Post Screw
40	40-114	L.S. Bearing
50	50-114HF	Frame Shield
54	54-114	Harness Lug (2 Required)
62	62-114	Click Spring
62A	63-209	Click Spring Screw
69	69B-600	Retaining Ring
86	86-114L	Metal Drag Washer
98	98-114	Gear Sleeve
149	149-45	Clamp Nut (2 Required)
183	183-114HF	Frame

Model: 114 HALF Frame 6/0

KEY NO.	PART NO.	DESCRIPTION
24	24-57	Handle
26	26-114	Bearing Right Side
27	27-114	Left Side Plate
29	29M-114	Spool
33	33-340	Rod Clamp
34	34-975	Clamp Screw (2 Required)
35	35-114	Click Tongue
36	36-114H	Click Button
37	37-114	Frame Post
38	38-114	R.S. Frame Screw (4req)
38A	39-12	R.S. Post Screw
39	39-114	L.S. Frame Screw (4 req)
39A	32-21	L.S. Post Screw
40	40-114	L.S. Bearing
50	50-114HF	Frame Shield
54	54-114	Harness Lug (2 Required)
62	62-114	Click Spring
62A	63-209	Click Spring Screw
69	69B-600	Retaining Ring
86	86-114L	Metal Drag Washer
98	98-114	Gear Sleeve
149	149-45	Clamp Nut (2 Required)
183	183-114HF	Frame