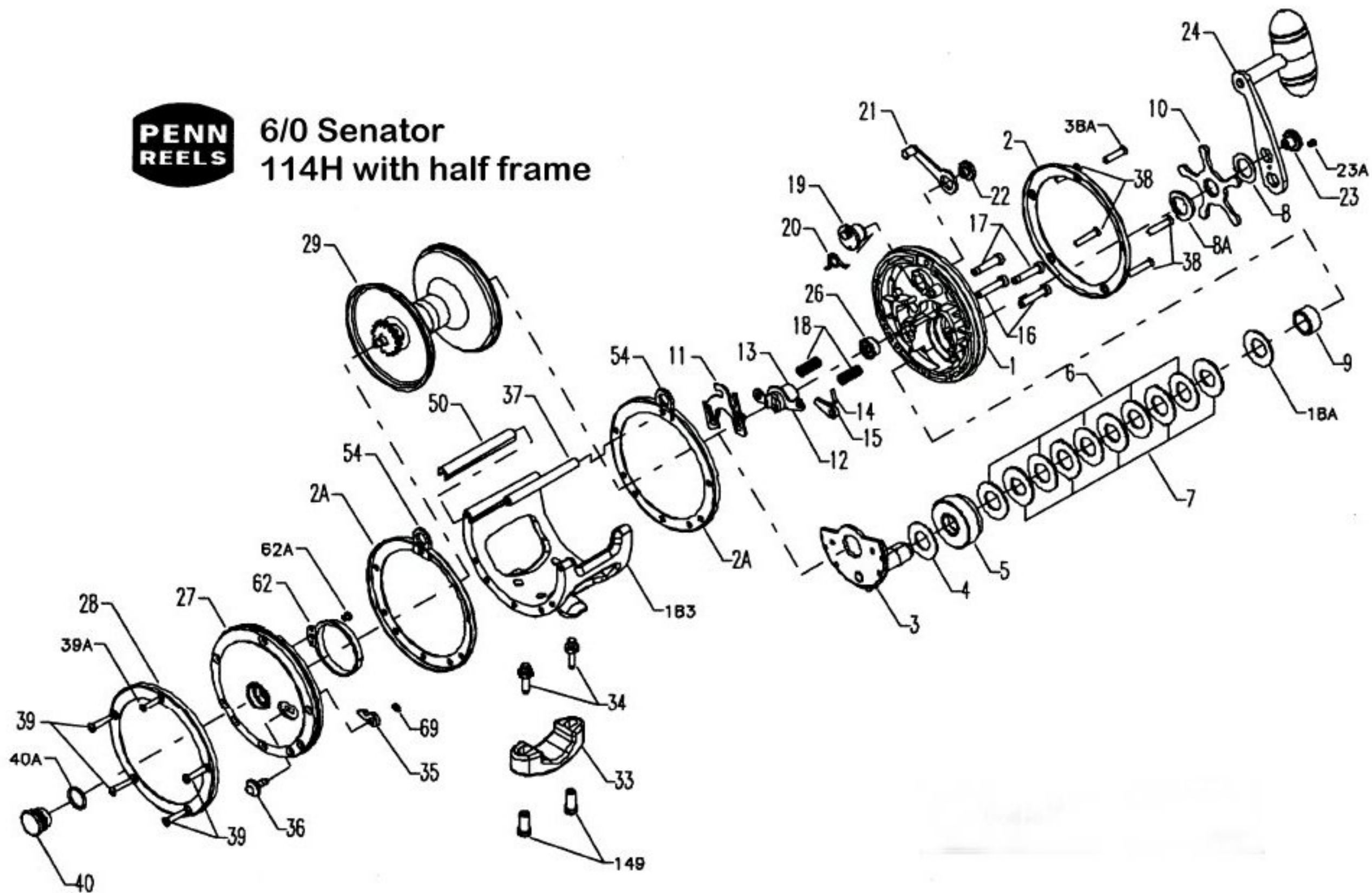




6/0 Senator 114H with half frame



Penn Reel Parts list for:

KEY NO.	PART NO.	DESCRIPTION
1	1-114H	Right Side Plate
2	2N-114H	Right Side Ring Outer
2A	2-114-I	Right/Left Side Ring Inner
3	3-114H	Bridge with Sleeve
4	4-115	Fiber Washer
5	5-115	Main Gear
6	6-115	Drag Washer
7	7C-115	Metal Drag Washer Set
8	8-114	Tension Spring
8A	8-115	Tension Spring
9	9-114H	Spacing Sleeve
10	10-114	Star Drag Wheel
11	11-114	Eccentric Jack
12	12-114	Pinion Yoke
13	13-114H	Pinion
14	14-114	Dog Spring
15	15-114H	Dog
16	16-114	Bridge Screw Lower (2 Required)
17	17-114	Bridge Screw Upper (2 Required)
18	18-114	Clutch Spring
18A	18-114H	Spring Disc
19	19-114	Eccentric
20	20-114	Eccentric Spring
21	21-114	Eccentric Lever
22	23-60	Eccentric Screw
23	23-116	Handle Screw
23A	110-60	Handle Lock Screw

Model: 114H

KEY NO.	PART NO.	DESCRIPTION
24	24-57	Handle
26	26-116	Bearing Right Side
27	27N-114H	Left Side Plate
28	2N-114	Left Side Ring Outer
29	29L-114HL	Spool, Aluminum
33	33-340	Rod Clamp
34	34-975	Clamp Screw (2 Required)
35	35-114	Click Tongue
36	36-114H	Click Button
37	37-114	Frame Post
38	39-13	R.S. Post Screw (4 Required) old#38-114
38A	39-12	R.S. Post Screw
39	39-13	L.S. Post Screw (4 Required) old#39-114
39A	32-21	L.S. Post Screw
40	40-114HL	L.S. Bearing
40A	120-114H	L.S. Bearing O Ring
50	50-114HF	Frame Shield
54	54-114	Harness Lug (2 Required)
62	62-114	Click Spring
62A	63-209	Click Spring Screw
69	69B-600	Retaining Ring
98	98-114	Gear Sleeve
149	149-45	Clamp Nut (2 Required)
149A	149-200	Hex Nut (2 Required)
183	183-114H-HF	Frame, Half (stand included)

6/0 Senator, Half Frame w/stand