

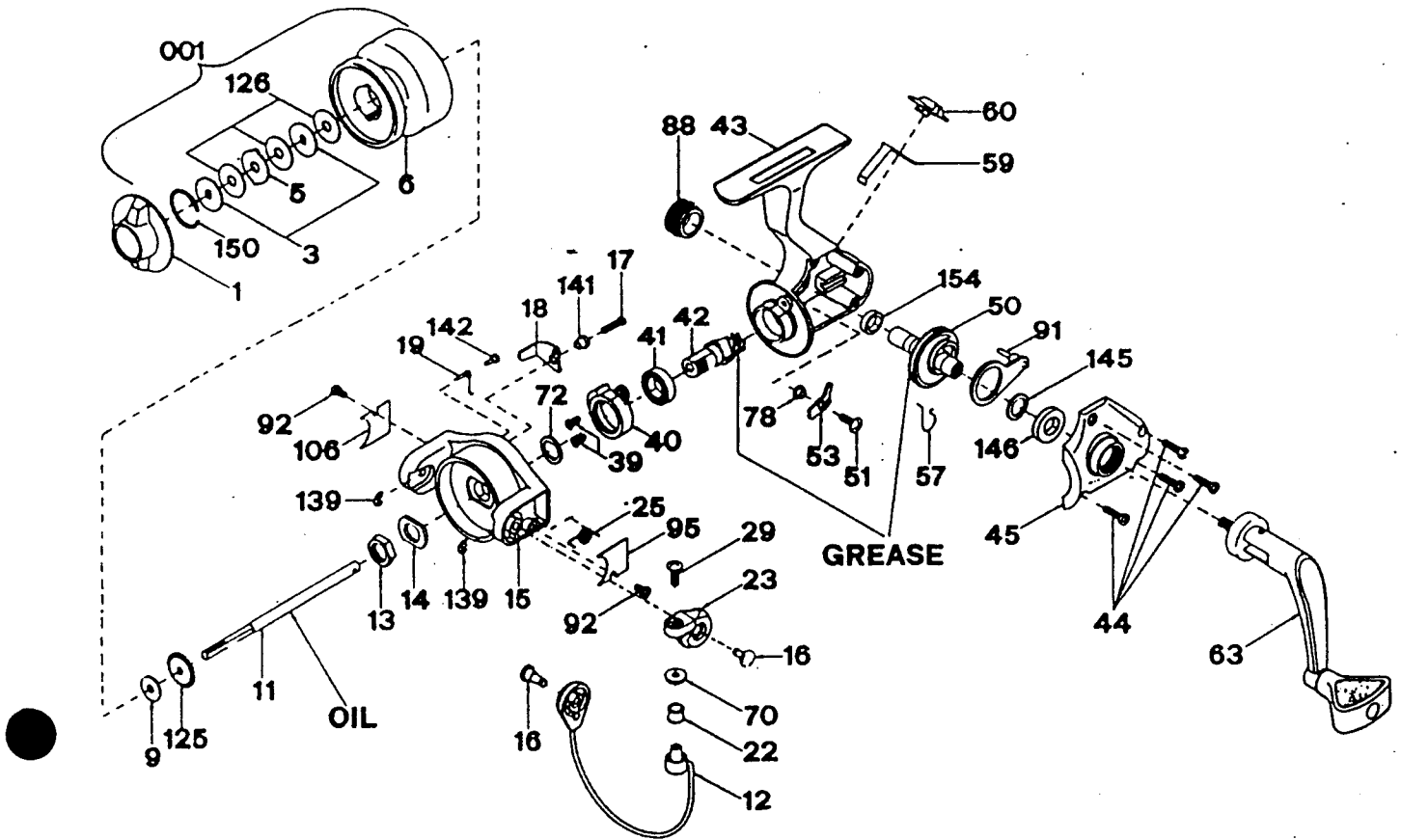
Revised 8/99

ULTRALIGHT 2500

Shakespeare

SINCE 1897

Please specify reel color when ordering. (flat-black, red, green, gra



Key No.	Part No.	Description	Key No.	Part No.	Description
1	79-40-0180-01	Drag Button	3	79-72-0630-01	Keyed Drag Washer
5	79-72-0631-01	Eared Drag Washer	6	78 2500-001	Spool
9	79-72-0624-01	Main Shaft Washer	11	79-60-0137-01	Main Shaft
12	79-03-0109-01	Bail Wire Assembly	13	79-40-0182-01	Pick Up Housing Nut
14	79-72-0625-01	Pick Up Housing Washer	15	79-34-0140-01	Pick Up Housing
16	79-45-0045-01	Bracket Stud	17	79-58-0605-01	Trip Lever Screw
18	79-37-0187-01	Trip Lever	19	79-67-0626-01	Trip Lever Spring
22	79-57-0044-01	Line Roller	23	79-07-0079-01	Bail Bracket
25	79-67-0617-01	Trip Spring	29	79-58-0596-01	Line Roller Screw
39	79-58-0606-01	Retainer Screw	40	79-53-0059-01	Ball Race Retainer
41	79-04-0066-01	Ball Race	42	79-46-0099-01	Pinion Gear
43	79-27-0169-01	Frame	44	79-58-0597-01	Cover Plate Screw
45	79-47-0377-01	Cover Plate	50	79-28-0173-01	Drive Gear
51	79-58-0607-01	Non Reverse Pawl Screw	53	79-43-0122-01	Non Reverse Pawl
57	79-67-0628-01	Drive Gear Spring	59	79-67-0629-01	Push Button Spring
60	79-10-0077-01	Push Button	63	79-20-0144-01	Crank Assembly
70	79-21-0036-01	Line Roller Washer	72	79-65-0026-01	Pinion Spacer
78	79-72-0626-01	Non Reverse Pawl Washer	88	79-12-0052-01	Side Cap
91	79-37-0186-01	Level Wind Plate Assembly	92	79-58-0595-01	Bracket Cover Screw
95	79-47-0379-01	Trip Spring Cover	106	79-47-0379-01	Trip Lever Cover
125	79-50-0057-01	Click Ratchet	126	79-72-0627-01	Drag Washer
139	79-15-0019-01	Stud Washer	141	79-72-0628-01	Trip Lever Washer
142	79-71-0003-01	Spring Stud	145	79-72-0629-01	Drive Gear Washer
146	79-09-0029-01	Cover Plate Bushing	150	79-53-0060-01	Retaining Ring