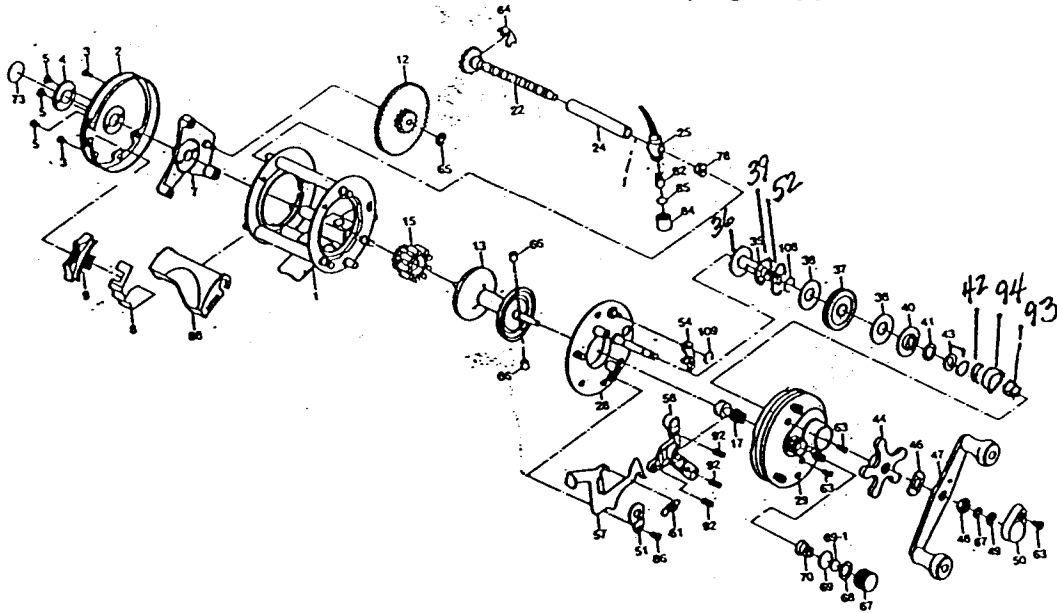


Shakespeare®

SKP 3000 SKP 4000

FTD--2001



1	Main Body Assembly	61	Latch Spring 74-67-0046-01
2	Left Side Plate	63	Multi-Purpose Screw (3) 63-511-801
3	Left Side Plate Screw (3) 79-58-0719	64	Level-Wind Retainer
4	Decal Seat	65	E-Ring 79-15-0019-01
5	Decal Seat Screw (2)	66	Centrifugal Brake Shoe
7	Level Wind Gear Frame	67	Cast Control Knob
8	Bait Clicker Spring	68	Cast Control Pressure Ring
9	Bait Clicker Button	69	Cast Cntrl Brass Washer 79-65-0036-01
12	Level Wind Gear	69-1	Cast Cntrl Rubber Washer 79-65-0037-01
13	Spool Assembly	70	Cast Control Spring 79-67-0713-01
15	Level Wind Pinion Gear	73	Decal
17	Pinion Gear	78	Bushing
22	Worm Shaft	82	Line Guide Pawl
24	Line Guard	84	Line Guide Pawl Cap 79-12-0077-01
25	Line Guard	85	Washer
28	Right Sd Plate Seat Assembly	86	Keeper Screw
29	Right Side Plate	87	Shim Washer
35	Crankshaft	88	Thumb Rest Hood
37	Main Gear	92	Yoke Spring (3)
38	Drag Friction Gear 79-72-0724-01	93	Brass Bushing
40	Drag Pressure Plate A	94	Ball Bearing #2.30 5590
41	Drag Washer A	108	Retaining Spring
43	Drag Spring Washer (2)	109	Pawl Retaining Spring
44	Star Drag Handle		
46	Handle Spring Washer 6K-161-401	36*	Trip Ratchet
47	Handle Assembly	39*	Washer
48	Handle Nut 6K-178-303	42*	Drag Washer B
49	E-Ring 79-15-0051-01	52*	Drag Pressure Plate B
50	Retainer Cap		
51	Latch Keeper		
54	Anti-Reverse Pawl	*	REVISION 10/20/00
57	Thumb Latch		
58	Yoke		

Model #	Line Cap	Gear Ratio	Class
SKP 3000	200yds/12# line	5.3:1	Medium Freshwater
SLP 4000	165yds/20# line	5.3:1	Heavy FW/Light SW