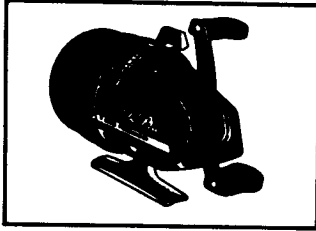
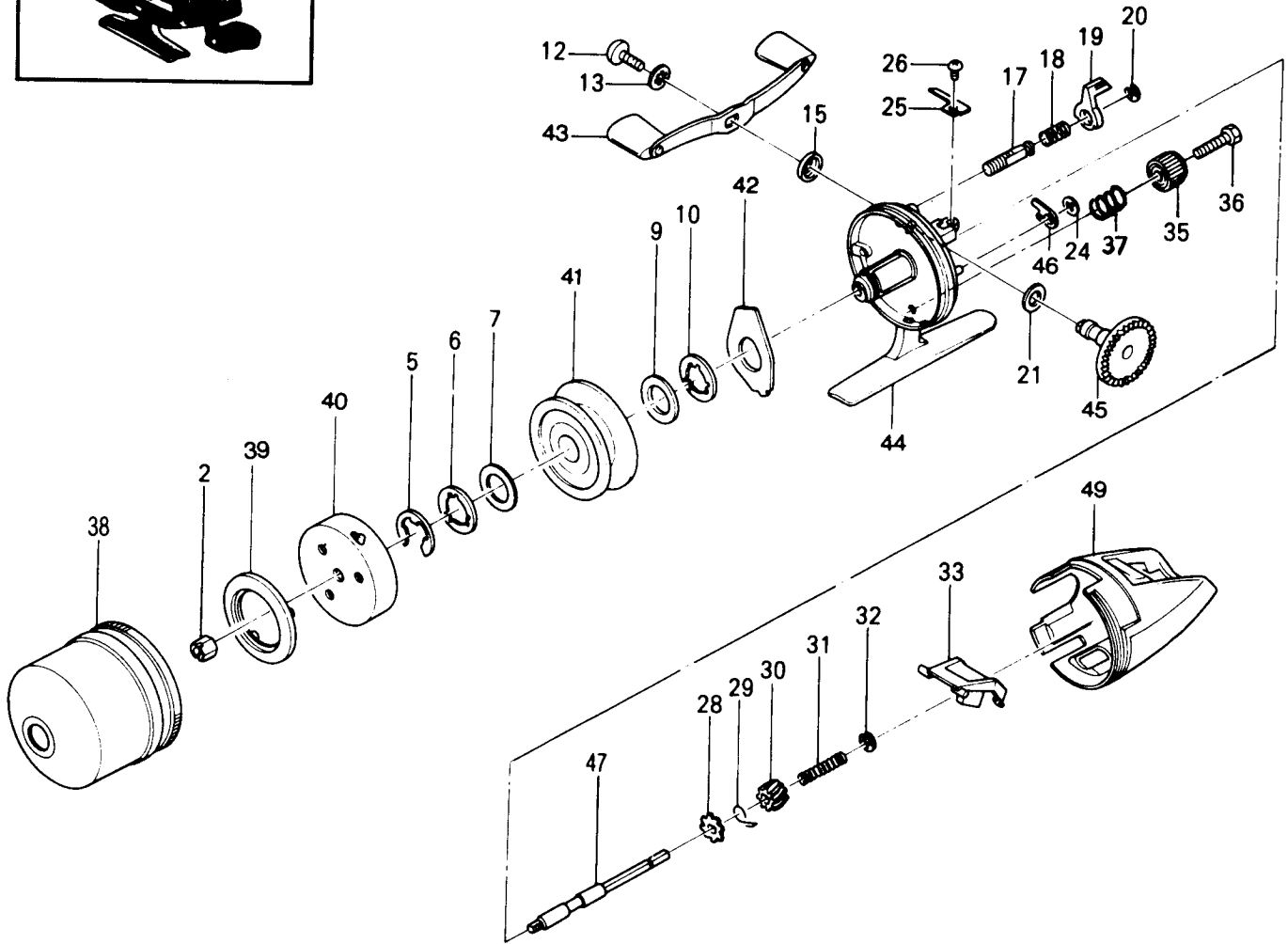


SP 102P



TO ORDER:

This reel belongs to the "SP" series.
Please order by series and part number.
Original key and code numbers are
for cross-reference only.



ORIGINAL PART #	ORIGINAL KEY #	ORIGINAL CODE #	DESCRIPTION	ORIGINAL PART #	ORIGINAL KEY #	ORIGINAL CODE #	DESCRIPTION
38.	1.	6-0489 296200	Front Cover Assembly	20.	20.	7-0040 106000	"E" Lock
2.	2.	7-0311 296000	Rotor Nut	21.	21.	7-0446 296000	Drive Gear Washer
39.	3.	7-0350 296200	Line Snubber	45.	22.	7-0408 296200	Drive Gear
40.	4.	6-0309 296200	Rotor Assembly	46.	23.	7-0427 296200	Anti-Reverse Pawl
5.	5.	7-0040 906000	Spool Retainer	24.	24.	7-0043 302500	Anti-Reverse Pawl Retainer
6.	6.	7-0240 296000	Key Washer 1	25.	25.	7-0154 296000	Drag Lever Click Spring
7.	7.	7-0238 296000	Drag Washer 1	26.	26.	7-0013 303600	Click Spring Screw
41.	8.	7-0201 296200	Spool	47.	27.	7-0412 296200	Main Shaft
9.	9.	7-0239 296000	Drag Washer 2	28.	28.	7-0493 296000	Anti-Reverse Ratchet
10.	10.	7-0241 296000	Key Washer 2	29.	29.	7-0422 296000	Anti-Reverse Pawl Spring
42.	11.	6-0219 296200	Drag Plate Assembly	30.	30.	7-0407 296000	Pinion Gear
12.	12.	7-0710 296000	Handle Lock Screw	31.	31.	7-0492 296000	Main Shaft Spring
13.	13.	7-0725 296000	Handle Lock Washer	32.	32.	7-0040 304000	Main Shaft Spring Retainer
43.	14.	6-0709 296200	Handle Assembly	48.	33.	7-0614 296200	Push Button
15.	15.	7-0550 296000	Drive Gear Shaft Cover	49.	34.	7-0613 296200	Rear Housing
44.	16.	7-0401 296200	Body	50.	35.	7-0101 296200	Drag Dial
17.	17.	7-0163 296000	Fighting Drag Shaft	36.	36.	7-0107 296000	Drag Screw
18.	18.	7-0164 296000	Fighting Drag Spring	37.	37.	7-0151 296000	Drag Dial Spring
19.	19.	7-0153 296000	Fighting Drag Lever				