

EXPLODED PARTS VIEW

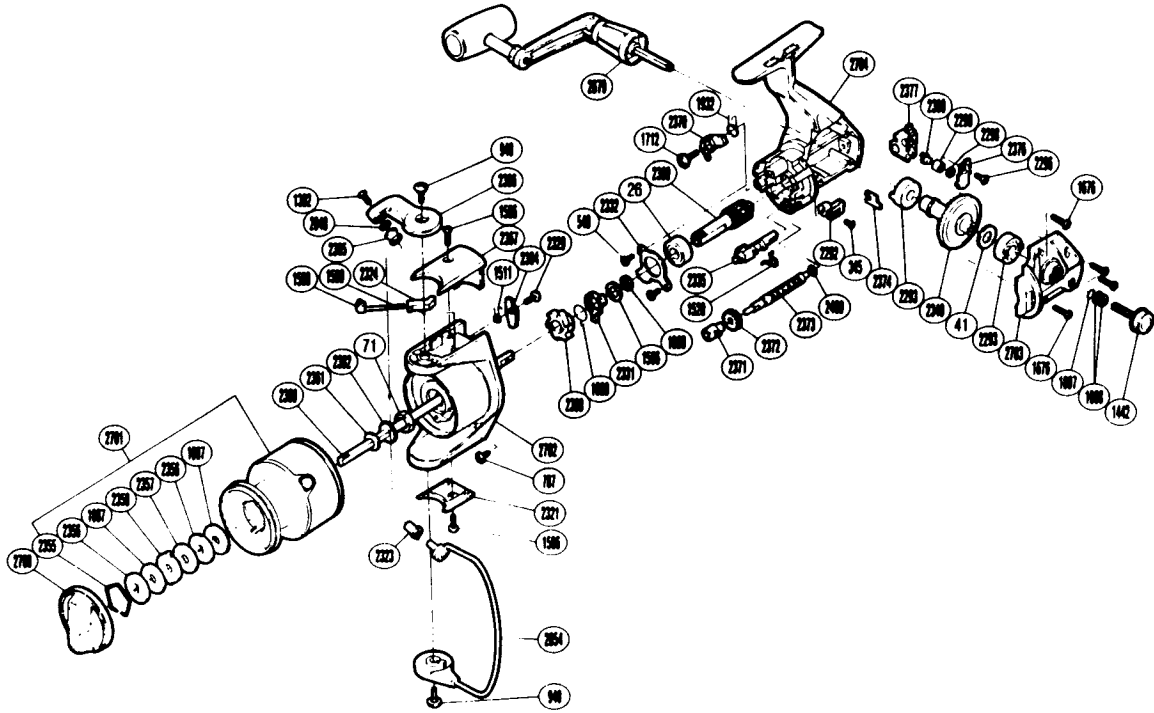
BA AERO

8-12#

SHIMANO®

1990 REPAIR MANUAL

Shimano American Corporation, One Shimano Dr.
Irvine, CA 92718



TO ORDER: USE RD PREFIX
WITH PART NUMBER

PARTS LIST

RD #	DESCRIPTION	RD #	DESCRIPTION	RD #	DESCRIPTION
0026	Ball Bearing	1932	Anti-Reverse Pawl Spring	2362	Spool Support
0041	Drive Gear Washer	2048	Line Roller Washer	2365	Line Roller
0071	Rotor Nut	2292	Anti-Reverse Lever	2366	Bail Arm
0345	Anti-Reverse Lever Screw	2293	Drive Gear Bushing	2367	Bail Spring Cover
0540	Anti-Reverse Pawl Screw	2296	Slider Retainer Screw	2368	Anti-Reverse Ratchet
0787	Nut Lock Screw	2298	Spacer	2369	Pinion Gear
0940	Bail Trip Cam Screw	2299	Oscillating Slider Bushing	2370	Anti-Reverse Pawl
1007	Lock Washer Retainer	2300	Oscillating Pawl	2371	Worm Bearing
1008	Handle Lock Washer	2321	Rotor Side Cover	2372	Idle Gear
1087	Drag Washer 1	2323	Line Roller Bushing	2373	Worm Shaft
1302	Line Roller Screw	2324	Bail Spring Guide (B)	2374	Worm Shaft Retainer
1442	Handle Screw Cap	2329	Bail Trip Lever Screw	2376	Oscillating Pawl Cover
1506	Bail Spring Cover Screw	2331	Anti-Reverse Lock Out	2377	Oscillating Slider
1508	Bail Spring Guide A	2332	Bearing Retainer	2394	Bail Trip Lever
1509	Bail Spring	2335	Anti-Reverse Cam	2409	Worm Shaft Spacer
1511	Lever Spring	2340	Drive Gear	2654	Bail Assembly
1520	Anti-Reverse Cam Spring	2355	Drag Washers Retainer	2679	Handle Assembly
1596	Bushing Washer	2356	Key Washer	2700	Drag Knob
1676	Side Cover Screw	2357	Drag Washer 2	2701	Spool Assembly 2
1712	Anti-Reverse Pawl Screw	2358	Eared Washer	2702	Rotor
1888	Anti-Reverse Lock Out Spring	2360	Main Shaft	2703	Side Cover
1890	Bushing Washer	2361	Spool Washer	2704	Body

Prices and specifications subject to change without notice.

1/1990