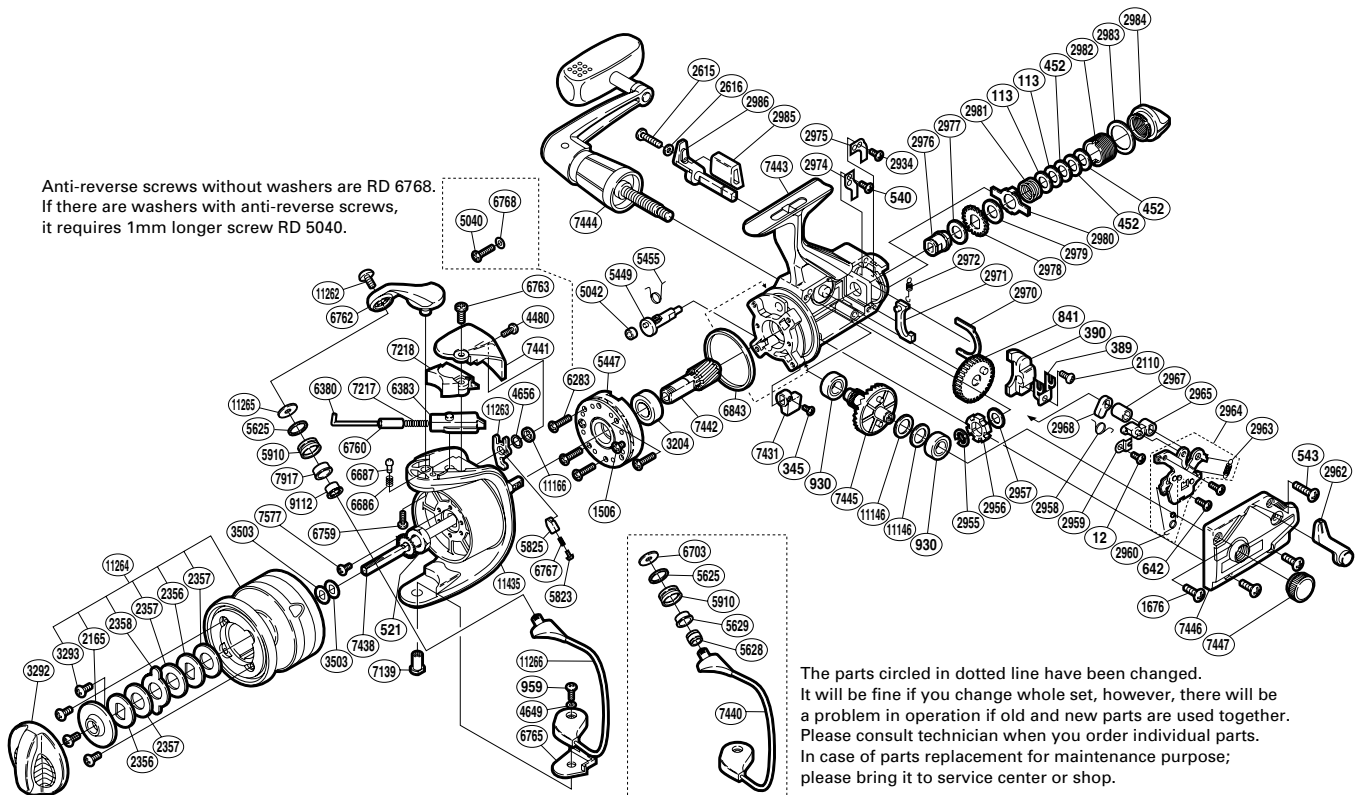


SHIMANO

BAITRUNNER

BTR-3500B

Anti-reverse screws without washers are RD 6768.
If there are washers with anti-reverse screws,
it requires 1mm longer screw RD 5040.



The parts circled in dotted line have been changed.
It will be fine if you change whole set, however, there will be
a problem in operation if old and new parts are used together.
Please consult technician when you order individual parts.
In case of parts replacement for maintenance purpose;
please bring it to service center or shop.

(1SD993501U)

| Part No. | Description | Part No. | Description | Part No. | Description |
|----------|-----------------------------|----------|-------------------------------|----------|--|
| RD 0012 | Shaft Retainer Screw | RD 2971 | BaitRunner Pawl | RD 6760 | Bail Spring Guide (A) Collar |
| RD 0113 | Tension Spring Washer "B" | RD 2972 | BaitRunner Pawl Spring | RD 6762 | Bail Arm |
| RD 0345 | Anti-Reverse Lever Screw | RD 2974 | BaitRunner Pawl Guide | RD 6763 | Bail Spring Cover Screw (A) |
| RD 0389 | Oscillating Slider Retainer | RD 2975 | Dial Click | RD 6765 | Bail Hold Support Spacer |
| RD 0390 | Oscillating Slider | RD 2976 | Free Spool Tension Shaft | RD 6767 | Bail Trip Lever Spring |
| RD 0452 | Tension Spring Washer "A" | RD 2977 | Free Spool Tension Washer (A) | RD 6843 | Friction Ring |
| RD 0521 | Rotor Nut | RD 2978 | Click Gear | RD 7139 | Bail Hold Support Shaft |
| RD 0540 | Pawl Guide Screw | RD 2979 | Free Spool Tension Washer (B) | RD 7217 | Bail Spring |
| RD 0543 | Side Cover Screw (B) | RD 2980 | Eared Washer "Bfs" | RD 7218 | Bail Spring Cover |
| RD 0642 | Clutch Plate Screw | RD 2981 | Free Spool Tension Spring | RD 7431 | Anti-Reverse Lever |
| RD 0841 | Oscillating Gear | RD 2982 | Free Spool Tension Screw | RD 7438 | Main Shaft |
| RD 0930 | Ball Bearing | RD 2983 | Dial Spacer | RD 7441 | Bail Spring Cover Guard |
| RD 0959 | Bail Hold Support Screw | RD 2984 | BaitRunner Tension Dial | RD 7442 | Pinion Gear |
| RD 1506 | Clutch Cover Screw | RD 2985 | BaitRunner Lever Bridge | RD 7443 | Body Assembly |
| RD 1676 | Side Cover Screw (A) | RD 2986 | BaitRunner Lever Arm (R) | RD 7444 | Handle Assembly |
| RD 2110 | Slider Retainer Screw | RD 3204 | Ball Bearing | RD 7445 | Drive Gear |
| RD 2165 | Seal Plate | RD 3292 | Drag Knob | RD 7446 | Side Cover |
| RD 2356 | Key Washer | RD 3293 | Seal Plate Screw | RD 7447 | Handle Screw Cap |
| RD 2357 | Drag Washer | RD 3503 | Spool Washer | RD 7577 | Nut Lock Screw |
| RD 2358 | Eared Washer | RD 4480 | Bail Spring Cover Screw (B) | RD 7917 | Line Roller Bushing |
| RD 2615 | BaitRunner Lever Screw | RD 4649 | Spacer | RD 9112 | Line Roller Collar |
| RD 2616 | Lock Washer | RD 4656 | Bail Trip Lever Washer | RD11146 | Drive Gear Washer |
| RD 2934 | Dial Click Screw | RD 5042 | Anti-Reverse Cam Ring | RD11166 | Spacer |
| RD 2955 | "C" Lock | RD 5447 | Roller Clutch Assembly | RD11262 | Line Roller Screw |
| RD 2956 | BaitRunner Ratchet | RD 5449 | Anti-Reverse Cam | RD11263 | Bail Trip Lever |
| RD 2957 | Ratchet Spacer | RD 5455 | Anti-Reverse Cam Spring | RD11264 | Spool Assembly |
| RD 2958 | Clutch Spring | RD 5625 | Line Roller Spacer | RD11265 | Line Roller Washer |
| RD 2959 | Lever Shaft Retainer | RD 5823 | Lever Spring Guide (A) | RD11266 | Bail Assembly |
| RD 2960 | Clutch Pawl Spring | RD 5825 | Lever Spring Guide (B) | RD11435 | Rotor |
| RD 2962 | BaitRunner Lever Arm (L) | RD 5910 | Line Roller | | |
| RD 2963 | BaitRunner Clutch Spring | RD 6283 | Roller Clutch Screw | RD 5040 | Roller Clutch Screw (before change) |
| RD 2964 | Clutch Plate Assembly | RD 6380 | Bail Spring Guide (A) | RD 5628 | Line Roller Collar (before change) |
| RD 2965 | Clutch Arm | RD 6383 | Bail Spring Guide (B) | RD 5629 | Line Roller Bushing (before change) |
| RD 2967 | Clutch Cam Spacer | RD 6686 | Bail Arm Click Spring | RD 6703 | Line Roller Washer (before change) |
| RD 2968 | Clutch Cam | RD 6687 | Bail Arm Click | RD 6768 | Roller Clutch Screw Washer (before change) |
| RD 2970 | Dial Retainer | RD 6759 | Bail Arm Screw | RD 7440 | Bail Assembly (before change) |

(190315)