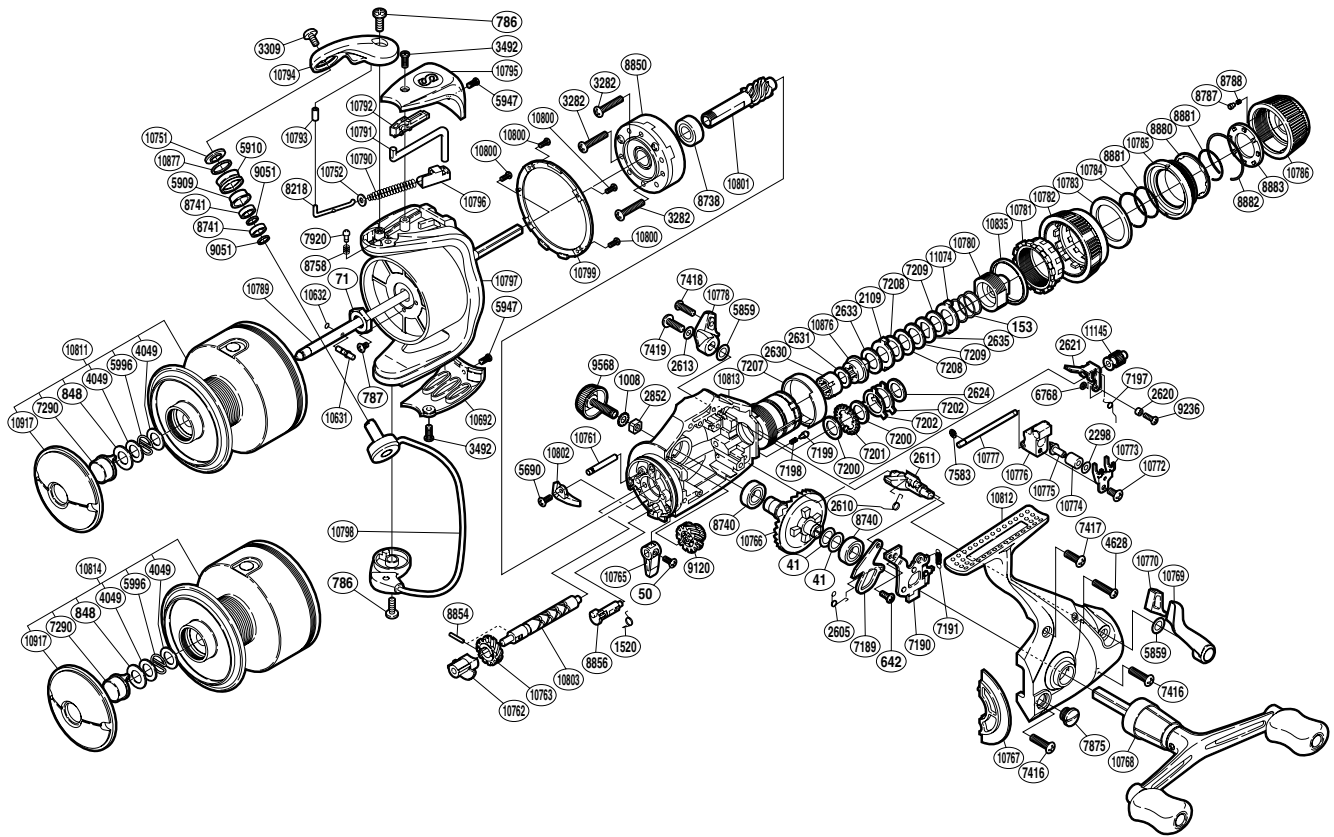


SHIMANO®

SUPER BAITRUNNER ⚙️ A-RB SBTA-10000XTEA



(1SG629002G)

Part No.	Description	Part No.	Description	Part No.	Description
RD 0041	Washer	RD 7201	Click Gear	RD10769	BaitRunner Lever Arm L
RD 0050	Screw	RD 7202	Eared Washer	RD10770	BaitRunner Lever Bridge
RD 0071	Rotor Nut	RD 7207	Dial Spacer	RD10772	Screw
RD 0153	Drag Coil Spring	RD 7208	Spacer	RD10773	Oscillating Slider Retainer
RD 0642	Screw	RD 7209	Drag Washer	RD10774	Oscillating Slider Bushing
RD 0786	Screw	RD 7290	Push Button	RD10775	Oscillating Pawl
RD 0787	Screw	RD 7416	Screw	RD10776	Oscillating Slider
RD 0848	Washer	RD 7417	Screw	RD10777	Oscillating Guide
RD 1008	Lock Washer	RD 7418	Screw	RD10778	BaitRunner Lever Arm R
RD 1520	Anti-Reverse Cam Spring	RD 7419	Screw	RD10780	Pressure Screw
RD 2109	Eared Washer	RD 7583	E Lock	RD10781	BaitRunner Tension Screw
RD 2298	Spacer	RD 7875	Oil Cap	RD10782	BaitRunner Tension Dial
RD 2605	Clutch Pawl Spring	RD 7920	Click Pin	RD10783	Tension Dial Retainer Ring
RD 2610	Clutch Spring	RD 8218	Bail Spring Guide A	RD10784	BaitRunner Tension Dial Retainer
RD 2611	BaitRunner Lever Shaft	RD 8738	Ball Bearing	RD10785	Drag Programmer B
RD 2613	Lock Washer	RD 8740	Ball Bearing	RD10786	Drag Programmer A
RD 2620	Clutch Screw Collar	RD 8741	Ball Bearing	RD10789	Main Shaft
RD 2621	BaitRunner Clutch	RD 8758	Click Spring	RD10790	Bail Spring
RD 2624	Drag Washer	RD 8787	Click Pin	RD10791	Bail Trip Lever
RD 2630	Free Spool Tension Shaft	RD 8788	Click Spring	RD10792	Bail Trip Cover
RD 2631	Drag Washer	RD 8850	Roller Clutch Assembly	RD10793	Bail Arm Collar
RD 2633	Drag Washer	RD 8854	Worm Shaft Pin	RD10794	Bail Arm
RD 2635	Key Washer	RD 8856	Anti-Reverse Cam	RD10795	Bail Spring Cover
RD 2852	Handle Screw Lock	RD 8880	Drag Knob Washer	RD10796	Bail Spring Seat
RD 3282	Screw	RD 8881	Drag Knob Retainer	RD10797	Rotor
RD 3309	Screw	RD 8882	Click Plate Retainer	RD10798	Bail Assembly
RD 3492	Screw	RD 8883	Click Plate	RD10799	Guard Ring
RD 4049	Washer	RD 9051	Bearing Spacer	RD10800	Screw
RD 4628	Screw	RD 9120	Idle Gear B	RD10801	Pinion Gear
RD 5690	Screw	RD 9236	Screw	RD10802	Bail Trip Lever Strike
RD 5859	Spacer	RD 9568	Handle Screw Cap	RD10803	Worm Shaft
RD 5909	Line Roller Bushing	RD10631	Main Shaft Pin	RD10811	Spool Assembly
RD 5910	Line Roller	RD10632	O Ring	RD10812	Side Cover
RD 5947	Screw	RD10692	Bail Hold Support Guard	RD10813	Body
RD 5996	Locking Spring	RD10751	Line Roller Washer	RD10835	Dial Washer
RD 6768	Spacer	RD10752	Bail Spring Guide A Support	RD10876	Drag Shaft
RD 7189	Clutch Pawl	RD10761	Idle Gear B Shaft	RD10877	Line Roller Spacer
RD 7190	Clutch Plate Assembly	RD10762	Worm Bushing	RD10917	Push Button Collar
RD 7191	BaitRunner Click Spring	RD10763	Idle Gear	RD11074	Eared Washer
RD 7197	Clutch Shaft Spring	RD10765	Anti-Reverse Lever	RD11145	Clutch Shaft
RD 7198	Click Spring	RD10766	Drive Gear		
RD 7199	Click Shoe	RD10767	Side Cover Flange		
RD 7200	Drag Washer	RD10768	Double Paddle Handle Assembly	RD10814	Spare Spool Assembly

(180714)