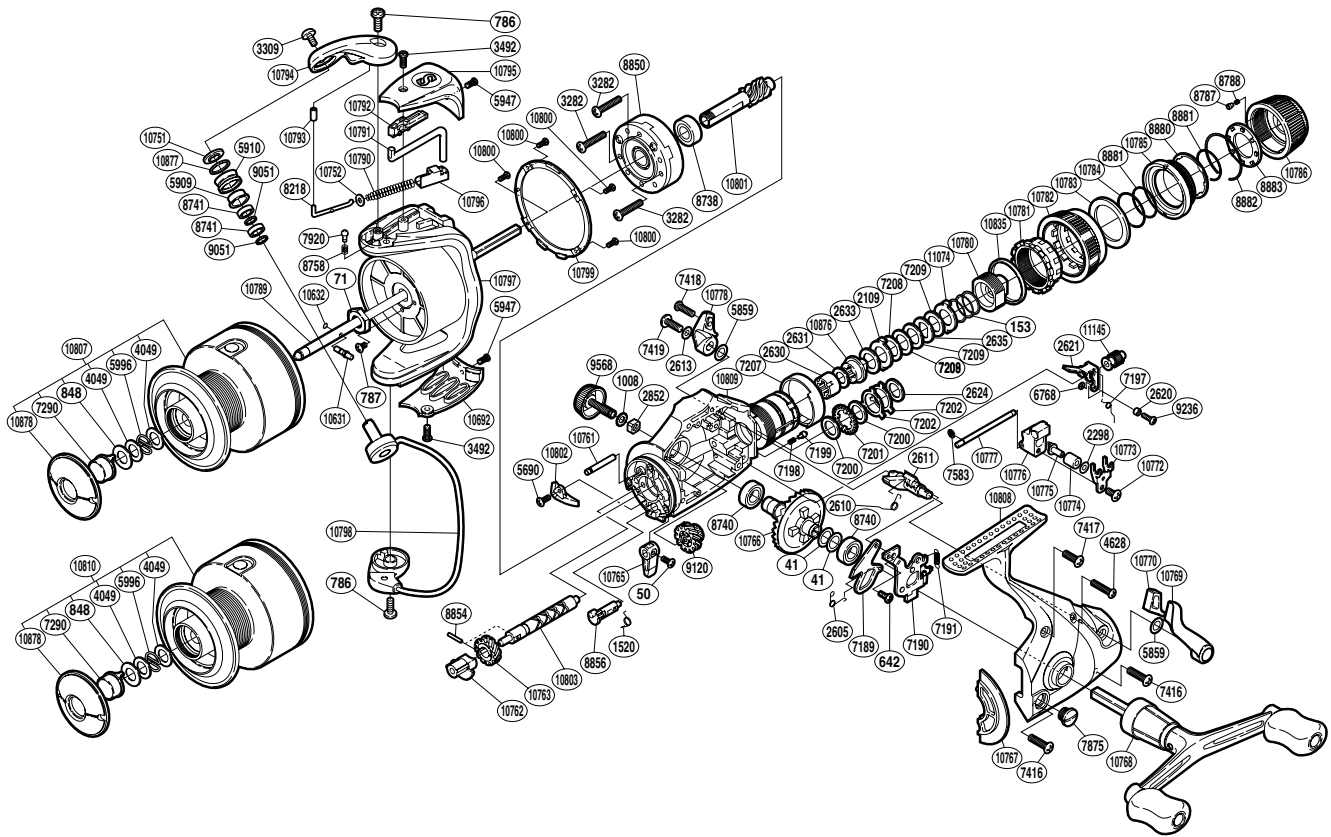


SHIMANO®

SUPER BAITRUNNER ⚙️ A-RB SBTA-8000XTEA



(1SG628002G)

| Part No. | Description | Part No. | Description | Part No. | Description |
|----------|--------------------------|----------|-------------------------------|----------|----------------------------------|
| RD 0041 | Washer | RD 7201 | Click Gear | RD10769 | BaitRunner Lever Arm L |
| RD 0050 | Screw | RD 7202 | Eared Washer | RD10770 | BaitRunner Lever Bridge |
| RD 0071 | Rotor Nut | RD 7207 | Dial Spacer | RD10772 | Screw |
| RD 0153 | Drag Coil Spring | RD 7208 | Spacer | RD10773 | Oscillating Slider Retainer |
| RD 0642 | Screw | RD 7209 | Drag Washer | RD10774 | Oscillating Slider Bushing |
| RD 0786 | Screw | RD 7290 | Push Button | RD10775 | Oscillating Pawl |
| RD 0787 | Screw | RD 7416 | Screw | RD10776 | Oscillating Slider |
| RD 0848 | Washer | RD 7417 | Screw | RD10777 | Oscillating Guide |
| RD 1008 | Lock Washer | RD 7418 | Screw | RD10778 | BaitRunner Lever Arm R |
| RD 1520 | Anti-Reverse Cam Spring | RD 7419 | Screw | RD10780 | Pressure Screw |
| RD 2109 | Eared Washer | RD 7583 | E Lock | RD10781 | BaitRunner Tension Screw |
| RD 2298 | Spacer | RD 7875 | Oil Cap | RD10782 | BaitRunner Tension Dial |
| RD 2605 | Clutch Pawl Spring | RD 7920 | Click Pin | RD10783 | Tension Dial Retainer Ring |
| RD 2610 | Clutch Spring | RD 8218 | Bail Spring Guide A | RD10784 | BaitRunner Tension Dial Retainer |
| RD 2611 | BaitRunner Lever Shaft | RD 8738 | Ball Bearing | RD10785 | Drag Programmer B |
| RD 2613 | Lock Washer | RD 8740 | Ball Bearing | RD10786 | Drag Programmer A |
| RD 2620 | Clutch Screw Collar | RD 8741 | Ball Bearing | RD10789 | Main Shaft |
| RD 2621 | BaitRunner Clutch | RD 8758 | Click Spring | RD10790 | Bail Spring |
| RD 2624 | Drag Washer | RD 8787 | Click Pin | RD10791 | Bail Trip Lever |
| RD 2630 | Free Spool Tension Shaft | RD 8788 | Click Spring | RD10792 | Bail Trip Cover |
| RD 2631 | Drag Washer | RD 8850 | Roller Clutch Assembly | RD10793 | Bail Arm Collar |
| RD 2633 | Drag Washer | RD 8854 | Worm Shaft Pin | RD10794 | Bail Arm |
| RD 2635 | Key Washer | RD 8856 | Anti-Reverse Cam | RD10795 | Bail Spring Cover |
| RD 2852 | Handle Screw Lock | RD 8880 | Drag Knob Washer | RD10796 | Bail Spring Seat |
| RD 3282 | Screw | RD 8881 | Drag Knob Retainer | RD10797 | Rotor |
| RD 3309 | Screw | RD 8882 | Click Plate Retainer | RD10798 | Bail Assembly |
| RD 3492 | Screw | RD 8883 | Click Plate | RD10799 | Guard Ring |
| RD 4049 | Washer | RD 9051 | Bearing Spacer | RD10800 | Screw |
| RD 4628 | Screw | RD 9120 | Idle Gear B | RD10801 | Pinion Gear |
| RD 5690 | Screw | RD 9236 | Screw | RD10802 | Bail Trip Lever Strike |
| RD 5859 | Spacer | RD 9568 | Handle Screw Cap | RD10803 | Worm Shaft |
| RD 5909 | Line Roller Bushing | RD10631 | Main Shaft Pin | RD10807 | Spool Assembly |
| RD 5910 | Line Roller | RD10632 | O Ring | RD10808 | Side Cover |
| RD 5947 | Screw | RD10692 | Bail Hold Support Guard | RD10809 | Body |
| RD 5996 | Locking Spring | RD10751 | Line Roller Washer | RD10835 | Dial Washer |
| RD 6768 | Spacer | RD10752 | Bail Spring Guide A Support | RD10876 | Drag Shaft |
| RD 7189 | Clutch Pawl | RD10761 | Idle Gear B Shaft | RD10877 | Line Roller Spacer |
| RD 7190 | Clutch Plate Assembly | RD10762 | Worm Bushing | RD10878 | Push Button Collar |
| RD 7191 | BaitRunner Click Spring | RD10763 | Idle Gear | RD11074 | Eared Washer |
| RD 7197 | Clutch Shaft Spring | RD10765 | Anti-Reverse Lever | RD11145 | Clutch Shaft |
| RD 7198 | Click Spring | RD10766 | Drive Gear | | |
| RD 7199 | Click Shoe | RD10767 | Side Cover Flange | | |
| RD 7200 | Drag Washer | RD10768 | Double Paddle Handle Assembly | RD10810 | Spare Spool Assembly |

(180714)