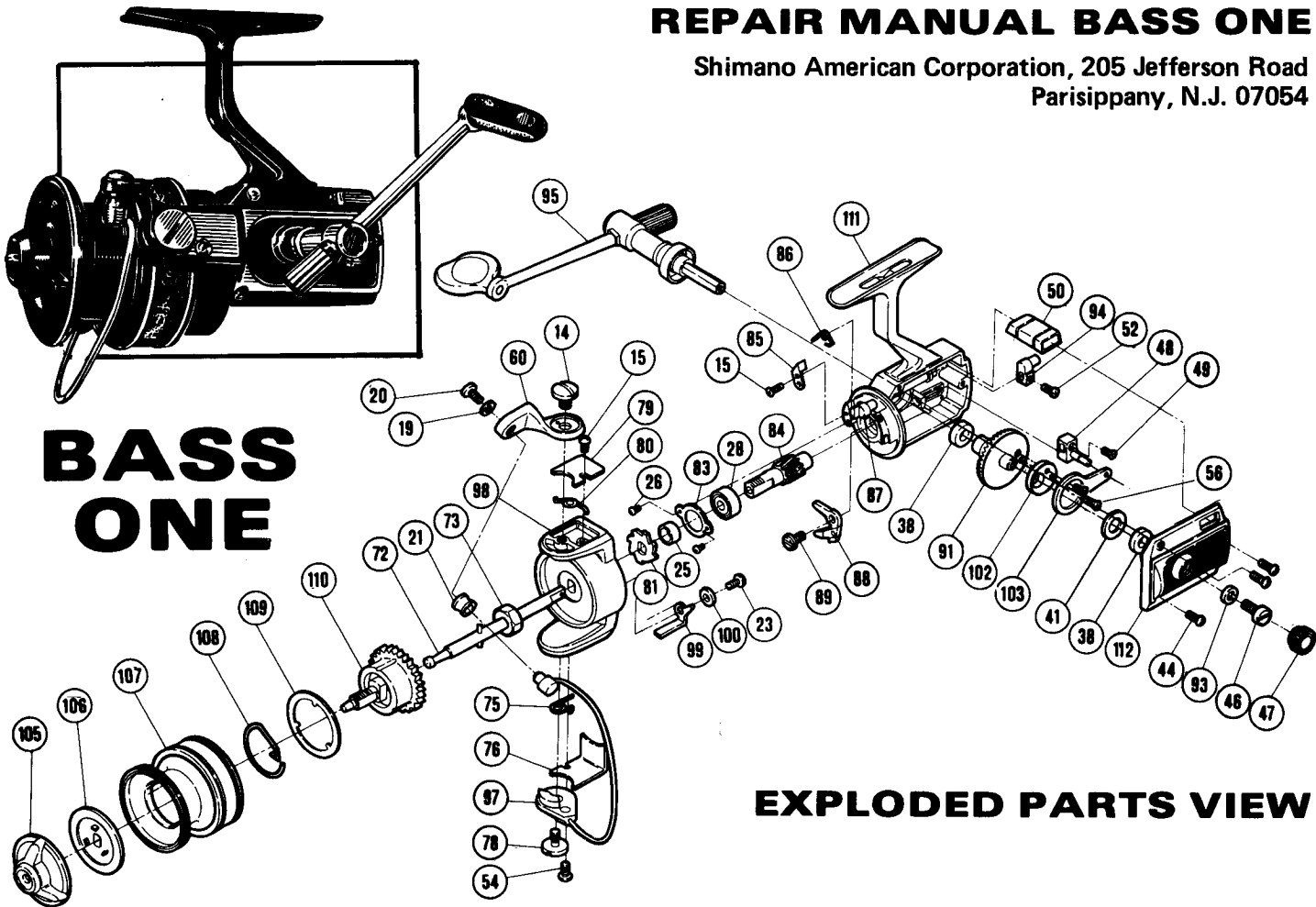




SHIMANO

REPAIR MANUAL BASS ONE

Shimano American Corporation, 205 Jefferson Road
Parisippany, N.J. 07054



BASS ONE

EXPLODED PARTS VIEW

PARTS LIST

PART #	DESCRIPTION	PRICE	PART #	DESCRIPTION	PRICE	PART #	DESCRIPTION	PRICE
14	Bail Mount Screw	.50	56	Oscillation Disk Screw	.15	91	Drive Gear	10.00
15	Bail Spring Cover Screw	.15	60	Bail Mount	1.75	93	Handle Screw Lock Washer	.20
19	Line Guide Lock Washer	.15	72	Spool Axle	4.75	94	Anti Reverse Actuator	.65
20	Line Guide Screw	.50	73	Rotor Nut	.25	95	Handle	6.00
21	Roller Line Guide	1.25	75	Trip Lever Spring	.25	97	Bail Wire	2.70
23	Trip Lever Screw	.15	76	Trip Lever Cover	.35	98	Rotor	7.00
25	Anti Reverse Spacer	.25	78	Bail Wire Screw	.50	99	Trip Lever	.85
26	Bearing Lock Screw	.15	79	Bail Spring Cover	.20	100	Trip Lever Spacer	.15
28	Ball Bearing	5.00	80	Bail Spring	.25	102	Oscillation Disk	.35
38	Drive Gear Bushing	.50	81	Anti Reverse Ratchet	.50	103	Oscillation Guide	.40
41	Thrust Washer	.15	83	Bearing Lock	.15	105	Drag Adjusting Knob	2.00
44	Side Plate Screw	.15	84	Pinion Gear	4.25	106	Drag Disk	.50
46	Handle Retainer Screw	.40	85	Trip Cam	.35	107	Spool Shell	16.50
47	Dust Cap	.35	86	Anti Reverse Shaft Spring	.20	108	Click Spring	.50
48	Oscillation Block	.65	87	Anti Reverse Shaft	.75	109	Base Drag Washer	.15
49	Oscillation Block Screw	.15	88	Anti Reverse Dog	1.00	110	Spool Spindle	4.00
50	Anti Reverse Switch	1.00	89	Anti Reverse Dog Screw	.35	111	Housing	11.00
52	Actuator Screw	.15				112	Side Plate	5.75
54	Trip Lever Cover Screw	.15						

Prices and specifications subject to change without notice.