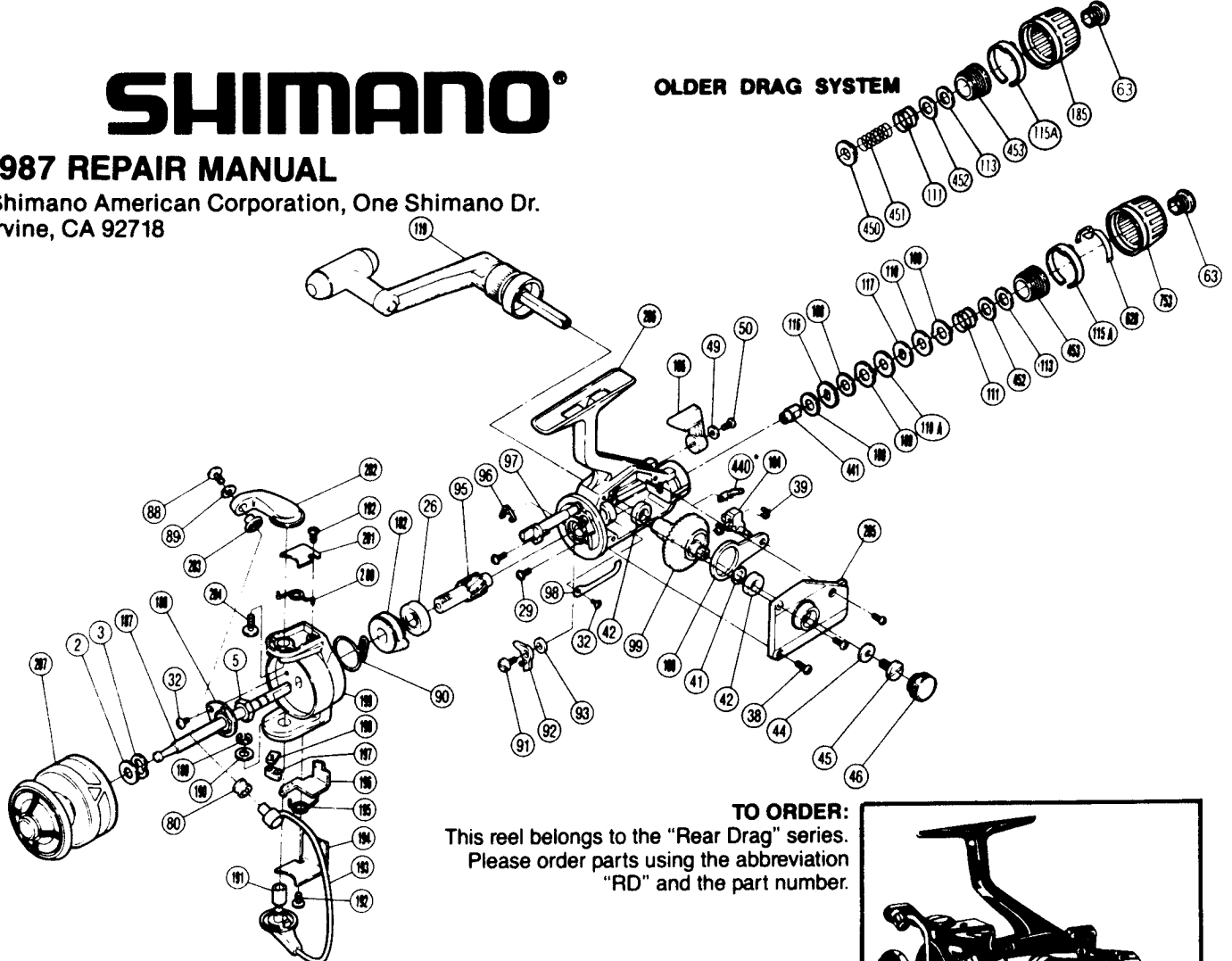


SHIMANO®

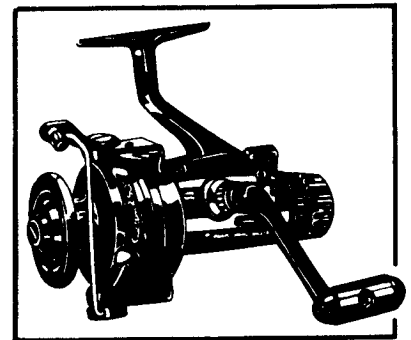
1987 REPAIR MANUAL

Shimano American Corporation, One Shimano Dr.
Irvine, CA 92718

OLDER DRAG SYSTEM



TO ORDER:
This reel belongs to the "Rear Drag" series.
Please order parts using the abbreviation
"RD" and the part number.



EXPLODED PARTS VIEW CUSTOM 2500

PARTS LIST

PART# DESCRIPTION

- 2. Spool Spacer
- 3. Tension Spring
- 5. Rotor Nut
- 26. Ball Bearing
- 29. Bearing Retainer Screw
- 32. Multi Purpose Screw
- 38. Side Plate Screw #1
- 39. "C" Lock
- 41. Thrust Washer
- 42. Drive Gear Bushing
- 44. Handle Screw Lock Washer
- 45. Handle Screw
- 46. Dust Cap
- 49. Lock Washer
- 50. Anti Reverse Lever Screw
- 63. Drag Screw
- 80. Roller Line Guide
- 88. Bail Wire Screw
- 89. Guide Screw Lock Washer
- 90. Rotor Stop Spring
- 91. Anti Reverse Dog Screw
- 92. Anti Reverse Dog
- 93. Anti Reverse Dog Spacer

PART# DESCRIPTION

- 95. Pinion Gear
- 96. Anti Reverse Shaft Spring
- 97. Anti Reverse Shaft
- 98. Drag Click
- 99. Drive Gear
- 100. Oscillation Guide
- 104. Oscillation Guide Block
- 106. Anti Reverse Lever
- 108. Drag Washer A
- 109. Keyed Washer #1
- 110. Drag Washer (Black)
- 110A. Drag Washer (White)
- 111. Drag Spring
- 113. Friction Washer
- 115A. Stop Ring
- 116. Ratchet Washer
- 117. D Washer
- 119. Handle (Originally 186)
- 182. Self Center Ratchet
- 185. Drag Adjusting Knob
- 187. Spindle
- 188. Rotor Nut Lock
- 189. "E" Lock
- 190. "E" Lock Washer

PART# DESCRIPTION

- 191. Bail Wire Bushing
- 192. Cover Screw
- 193. Bail Wire
- 194. Trip Plate Cover
- 195. Trip Plate Spring
- 196. Trip Plate
- 197. Trip Plate Cam
- 198. Trip Plate Guide
- 199. Rotor
- 200. Bail Spring
- 201. Bail Spring Cover
- 202. Bail Mount
- 203. Line Guide Spacer
- 204. Bail Mount Screw
- 205. Side Plate
- 206. Housing
- 207. Spool
- 440. Drag Knob Click Spring *
- 441. Drag Shaft
- 450. Lock Washer
- 451. Lock Spring
- 452. Base Spring Washer
- 453. Spring Housing
- 628. Drag Knob Click Spring ('85)
- 753. Drag Adjusting Knob ('85)

* not on reels using 628