

SHIMANO®

1987 REPAIR MANUAL

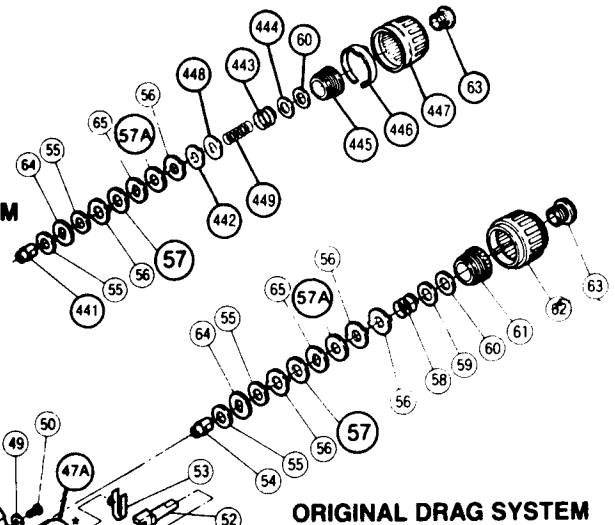
Shimano American Corporation, One Shimano Dr.
Irvine, CA 92718

NEW DRAG PARTS

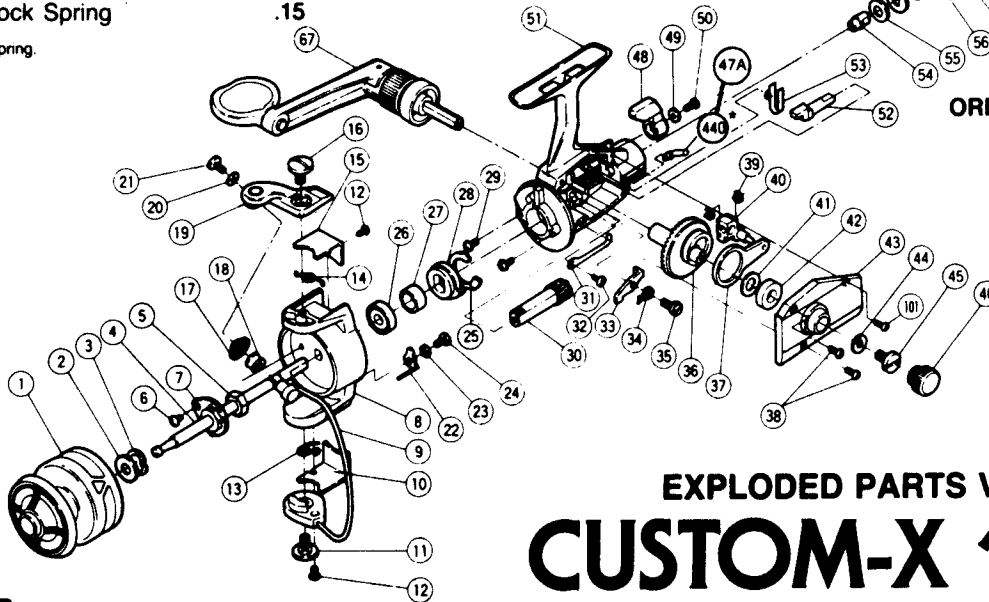
440.	Drag Knob Click Spring*	.20
441.	Drag Shaft	1.20
442.	Spring Washer	.15
443.	Drag Spring	.35
444.	Base Spring Washer	.15
445.	Spring Housing	.65
446.	Stop Ring	.25
447.	Drag Adjusting Knob	1.20
448.	Lock Washer	.20
449.	Lock Spring	.15

*New longer spring.

NEW DRAG SYSTEM



ORIGINAL DRAG SYSTEM



EXPLODED PARTS VIEW

CUSTOM-X 1000

TO ORDER:

This reel belongs to the "Rear Drag" series.
Please order parts using the abbreviation
"RD" and the part number.

PARTS LIST

PART# DESCRIPTION

1. Spool
2. Spool Spacer
3. Tension Spring
4. Spindle
5. Rotor Nut
6. Nut Lock Screw
7. Rotor Nut Lock
8. Rotor
9. Bail Wire
10. Trip Lever Cover
11. Bail Wire Screw
12. Cover Screw
13. Trip Lever Spring
14. Bail Spring
15. Bail Spring Cover
16. Trigger Screw
17. Line Guide Spacer
18. Roller Line Guide
19. Quickfire Trigger
20. Guide Screw Lock Washer
21. Bail Wire Screw
22. Trip Lever
23. Trip Lever Spacer

PART# DESCRIPTION

24. Trip Lever Screw
25. Anti Reverse Lock Out
26. Ball Bearing
27. Bearing Spacer
28. Self Center Ratchet
29. Bearing Retainer Screw
30. Pinion Gear
31. Drag Click
32. Multi Purpose Screw
33. Anti Reverse Dog
34. Anti Reverse Dog Spring
35. Anti Reverse Dog Screw
36. Drive Gear
37. Oscillation Guide
38. Side Plate Screw
39. "C" Lock
40. Oscillation Guide Block
41. Thrust Washer
42. Drive Gear Bushing
43. Side Plate
44. Handle Screw Lock Washer
45. Handle Screw

PART# DESCRIPTION

46. Dust Cap
- 47A. Drag Knob Click Spring
48. Anti Reverse Lever
49. Lock Washer
50. Anti Reverse Lever Screw
51. Housing
52. Anti Reverse Shaft
53. Anti Reverse Shaft Spring
54. Drag Shaft
55. Drag Washer A
56. Keyed Washer
57. Drag Washer (Black)
- 57A. Drag Washer (White)
58. Drag Spring
59. Base Spring Washer
60. Friction Washer
61. Spring Housing
62. Drag Adjusting Knob
63. Drag Screw
64. Ratchet Washer
65. D Washer
67. Handle
101. Side Plate Screw #2

Prices and specifications subject to change without notice

JUNE 1986