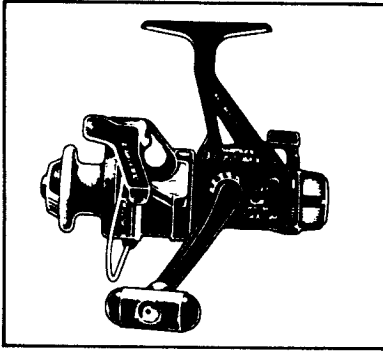


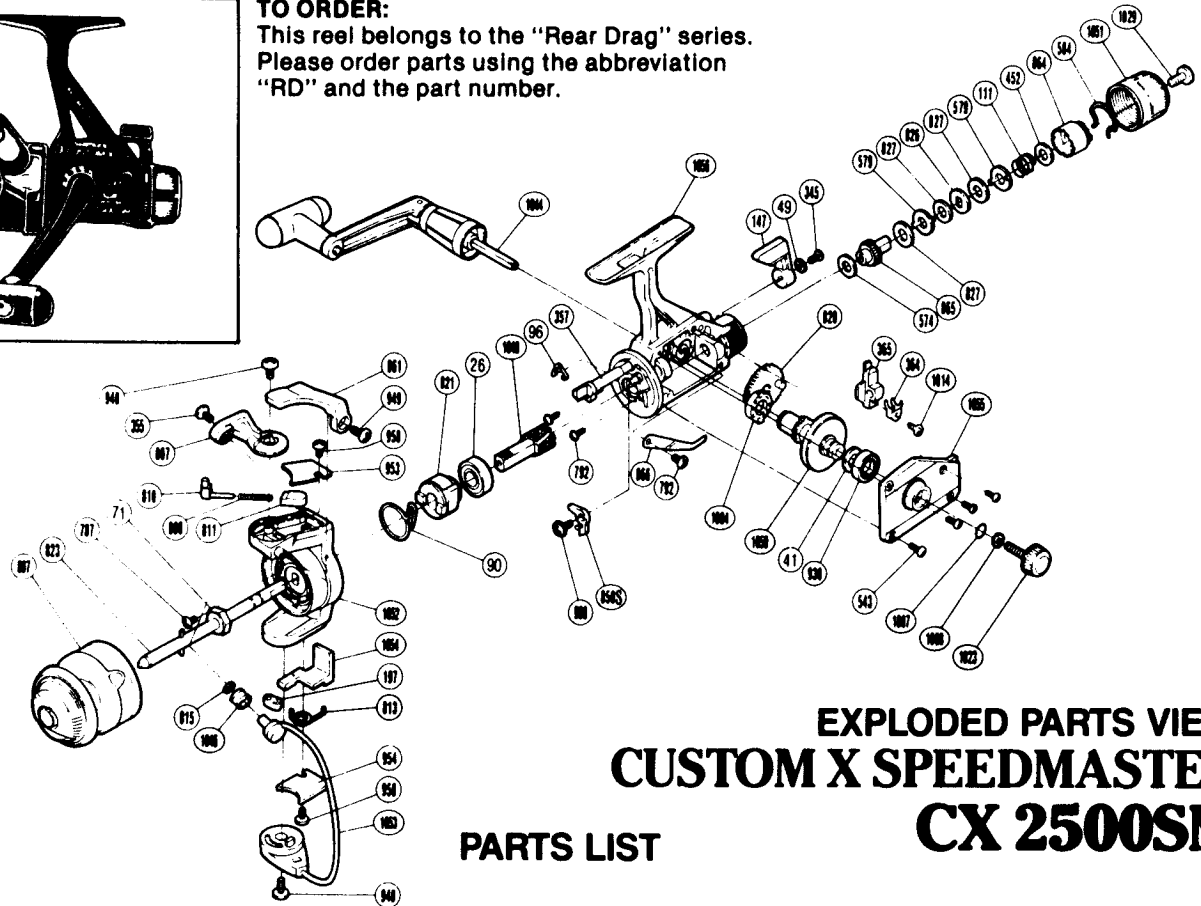
SHIMANO®

1987 REPAIR MANUAL

Shimano American Corporation, One Shimano Dr.
Irvine, CA 92718



TO ORDER:
This reel belongs to the "Rear Drag" series.
Please order parts using the abbreviation
"RD" and the part number.



EXPLODED PARTS VIEW CUSTOM X SPEEDMASTER™ CX 2500SM

PARTS LIST

PART # DESCRIPTION

26. Ball Bearing
41. Drive Gear Washer
49. Lock Washer
71. Rotor Nut
90. Anti-Reverse Pawl Spring
96. Anti-Reverse Cam Spring
111. Drag (Coil) Spring
147. Anti-Reverse Lever
197. Bail Trip Slide Cam
345. Anti-Reverse Lever Screw
355. Line Roller Screw
357. Anti-Reverse Cam
364. Oscillating Slider Retainer
365. Oscillating Slider
452. Drag Spring Washer "A"
543. Side Cover Screw (B)
574. Drag Washer "C2" (White)
579. Eared Washer "B"
584. Hold Click Spring
787. Nut Lock Screw

PART # DESCRIPTION

792. Bearing Retainer Screw
807. Bail Arm
808. Bail Spring
810. Bail Spring Guide A
811. Bail Spring Guide B
813. Lever Spring
815. Line Roller Washer
820. Oscillating Gear
821. Anti-Reverse Ratchet
823. Main Shaft
826. Key Washer "A"
827. Drag Washer "H1"
850S Anti-Reverse Pawl
861. Quick-Fire II Trigger
864. Pressure Screw
865. Drag Shaft
866. Drag Click
897. Spool Assembly (Universal)
930. Ball Bearing
940. Bail Trip Cam Screw

PART # DESCRIPTION

949. Trigger Screw
953. Bail Spring Cover
958. Bail Trip Cover Screw
998. Anti-Reverse Pawl Screw
1004. Bushing A
1007. Lock Washer Retainer
1008. Handle Lock Washer
1014. Slider Retainer Screw
1023. Handle Screw Cap
1029. Drag Knob Screw
1044. Handle Assembly
1046. Sic Ceramic Roller
1049. Pinion Gear
1050. Drive Gear
1051. Drag Knob
1052. Rotor
1053. Bail Assembly
1054. Bail Trip Lever
1055. Side Cover
1056. Body