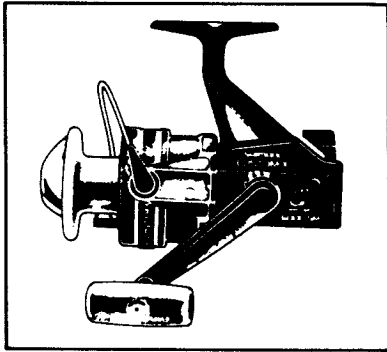


# SHIMANO®

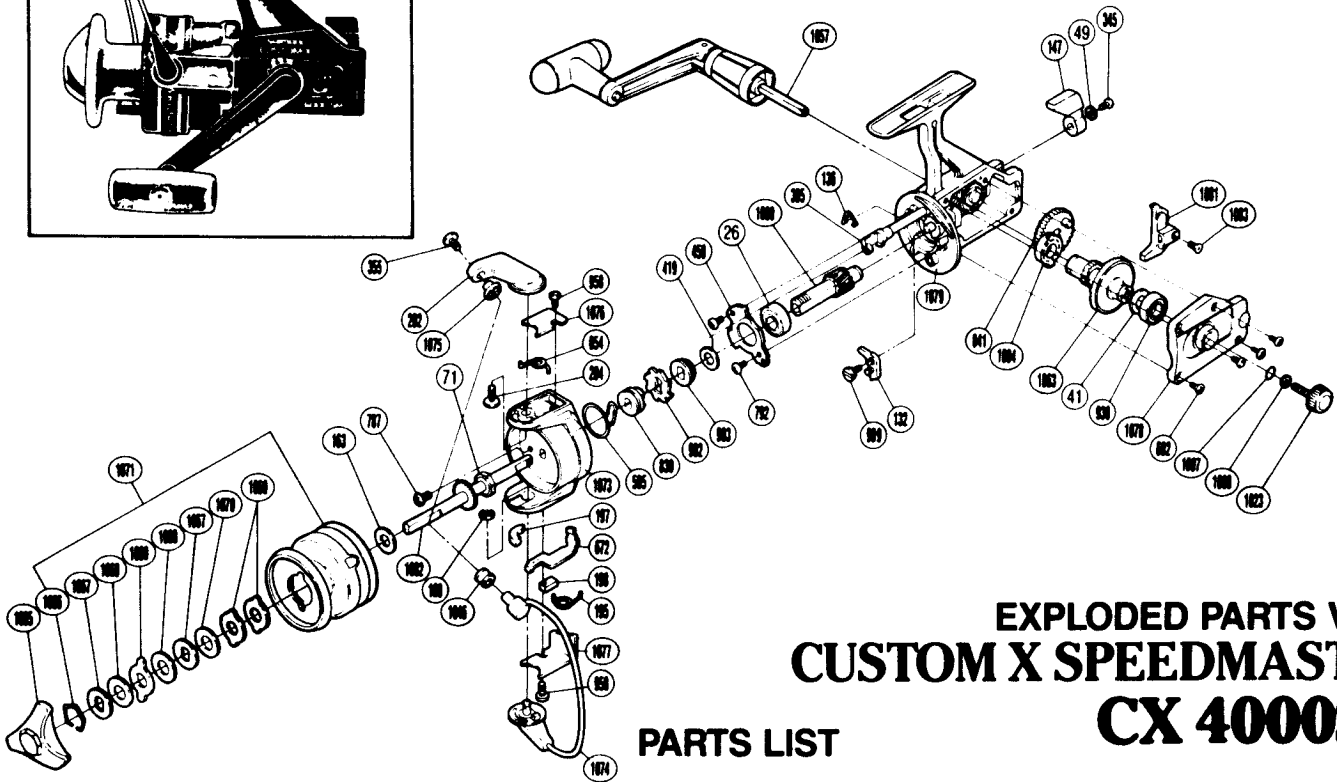
## 1987 REPAIR MANUAL

Shimano American Corporation, One Shimano Dr.  
Irvine, CA 92718



### TO ORDER:

This reel belongs to the "Rear Drag" series.  
Please order parts using the abbreviation  
"RD" and the part number.



## EXPLODED PARTS VIEW CUSTOM X SPEEDMASTER™ CX 4000SM

### PARTS LIST

#### PART # DESCRIPTION

- 26. Ball Bearing
- 41. Drive Gear Washer
- 49. Lock Washer
- 71. Rotor Nut
- 132. Anti-Reverse Pawl Assembly
- 136. Anti-Reverse Cam Spring
- 147. Anti-Reverse Lever
- 163. Spool Washer
- 189. "E" Lock
- 195. Lever Spring
- 197. Bail Trip Slide Cam
- 198. Trip Lever Guide
- 202. Bail Arm
- 204. Bail Arm Screw
- 345. Anti-Reverse Lever Screw
- 355. Line Roller Screw
- 385. Anti-Reverse Cam
- 419. Bushing Washer (B)
- 459. Bearing Retainer

#### PART # DESCRIPTION

- 595. Anti-Reverse Pawl Spring
- 602. Side Cover Screw A
- 654. Bail Spring
- 672. Bail Trip Lever
- 787. Nut Lock Screw
- 792. Bearing Retainer Screw
- 839. Anti-Reverse Spring Holder
- 841. Oscillating Gear
- 902. Anti-Reverse Ratchet
- 903. Pinion Spacer
- 930. Ball Bearing
- 958. Bail Trip Cover Screw
- 999. Anti-Reverse Pawl Screw
- 1004. Bushing A
- 1007. Lock Washer Retainer
- 1008. Handle Lock Washer
- 1023. Handle Screw Cap
- 1046. Sic Ceramic Roller
- 1057. Handle Assembly

#### PART # DESCRIPTION

- 1063. Drive Gear
- 1065. Drag Knob
- 1066. Drag Washers Retainer
- 1067. Key Washer
- 1068. Drag Washer 1
- 1069. Eared Washer
- 1070. Drag Washer 2
- 1071. Spool Assembly
- 1073. Rotor
- 1074. Bail Assembly
- 1075. Line Roller Washer
- 1076. Bail Spring Cover
- 1077. Bail Trip Cover
- 1078. Side Cover
- 1079. Body
- 1080. Pinion Gear
- 1081. Oscillating Slider
- 1082. Main Shaft
- 1083. Slider Retainer Screw