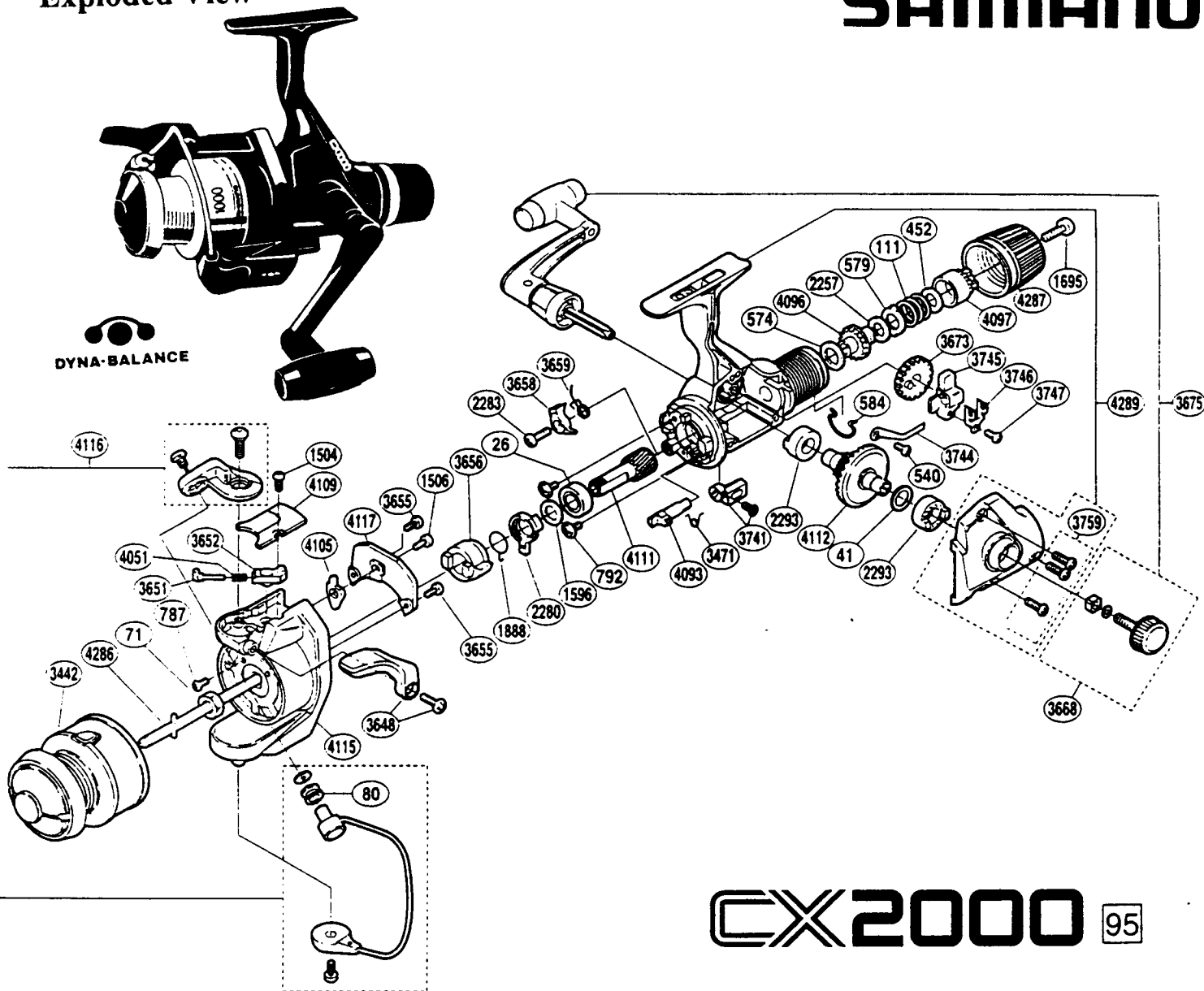


# Exploded View

# SHIMANO



## CX2000 95

### CX2000R

Part #	Description	Part #	Description	Part #	Description
RD 0026	Ball Bearing	RD 2280	Anti-Reverse Lock Out	RD 3746	Oscillating Slider Retainer
RD 0041	Drive Gear Washer	RD 2283	Anti-Reverse Pawl Screw	RD 3747	Slider Retainer Screw
RD 0071	Rotor Nut	RD 2293	Drive Gear Bushing	RD 3759	Side Cover Screws
RD 0080	Line Roller	RD 3442	Spool Assembly	RD 4051	Bail Spring
RD 0111	Drag Coil Spring	RD 3471	Anti-Reverse Cam Spring	RD 4093	Anti-Reverse Cam
RD 0452	Drag Spring Washer	RD 3648	Quick-Fire II Trigger Assembly	RD 4096	Drag Shaft
RD 0540	Drag Click Screw	RD 3651	Bail Spring Guide (A)	RD 4097	Pressure Screw
RD 0574	Drag Washer "C" (cloth)	RD 3652	Bail Spring Guide (B)	RD 4105	Bail Trip Lever
RD 0579	Eared Washer "B"	RD 3655	Cover Screw	RD 4109	Bail Spring Cover
RD 0787	Nut Lock Screw	RD 3656	Anti-Reverse Ratchet	RD 4111	Pinion Gear
RD 0792	Bearing Retainer Screw	RD 3658	Anti-Reverse Pawl	RD 4112	Drive Gear
RD 1504	Bail Spring Cover Screw	RD 3659	Anti-Reverse Pawl Spring	RD 4115	Rotor Assembly
RD 1506	Bail Trip Lever Screw	RD 3668	Handle Screw Cap Assembly	RD 4116	Bail Assembly
RD 1596	Bushing Washer	RD 3673	Oscillating Gear	RD 4117	Counterbalance Cover
RD 1695	Drag Knob Screw	RD 3675	Handle Assembly	RD 4286	Main Shaft Assembly
RD 1888	Anti-Reverse Lock Out Screw	RD 3741	Anti-Reverse Lever Assembly	RD 4287	Drag Knob Assembly
RD 2257	Drag Washer "H" (blue)	RD 3744	Drag Click	RD 4289	Body Assembly
		RD 3745	Oscillating Slider		