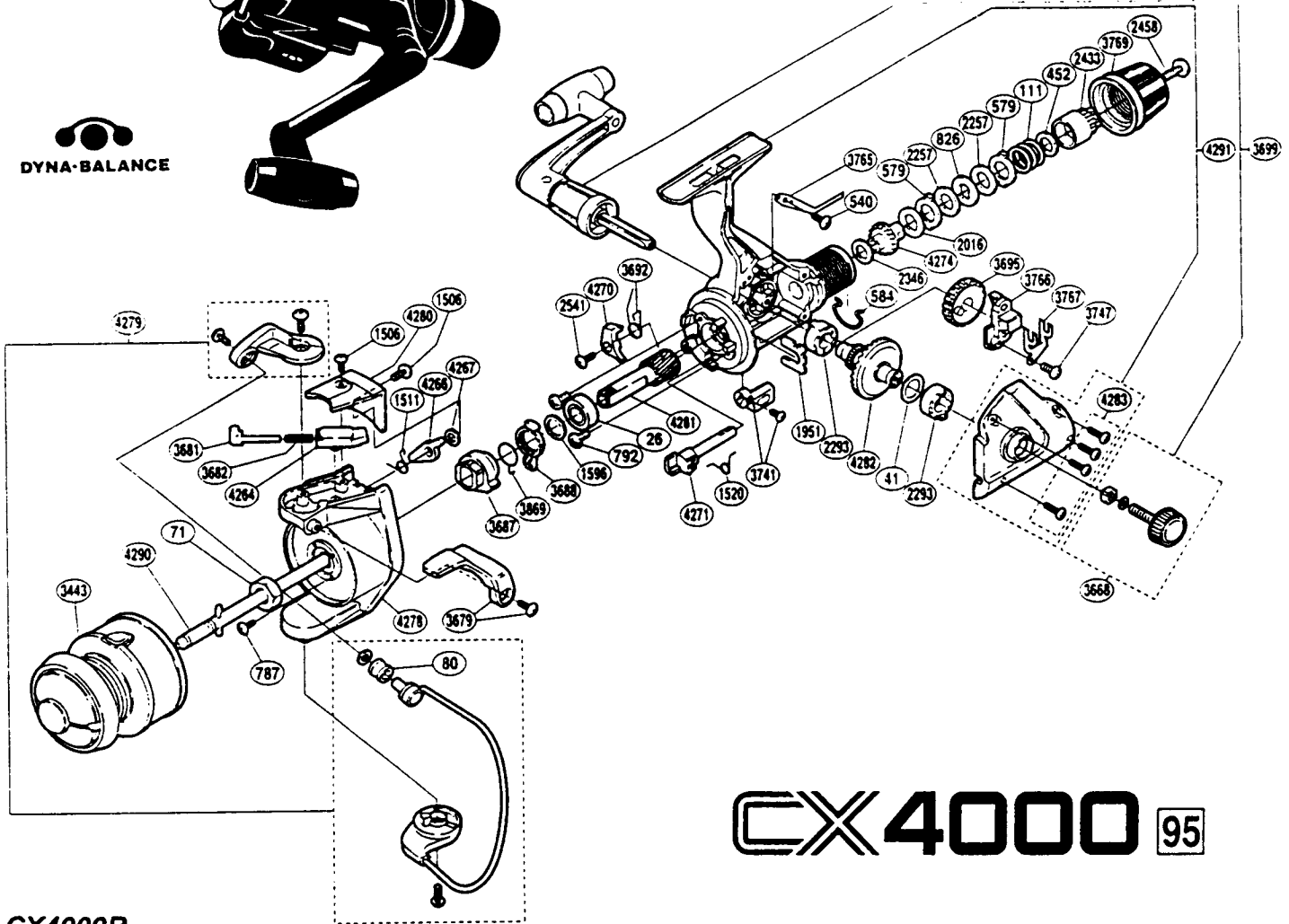


Exploded View

SHIMANO

DYNA-BALANCE



CX4000 95

CX4000R

| Part # | Description | Part # | Description | Part # | Description |
|---------|-------------------------|---------|-----------------------------|---------|------------------------------|
| RD 0026 | Ball Bearing | RD 2293 | Drive Gear Bushing | RD 3767 | Oscillating Slider Retainer |
| RD 0041 | Drive Gear Washer | RD 2346 | Drag Washer "C" (cloth) | RD 3769 | Drag Knob Assembly |
| RD 0071 | Rotor Nut | RD 2433 | Pressure Screw | RD 3869 | Anti-Reverse Lock Out Spring |
| RD 0080 | Line Roller | RD 2458 | Drag Knob Screw | RD 4264 | Bail Spring Guide (B) |
| RD 0111 | Drag Coil Spring | RD 2541 | Anti-Reverse Pawl Screw | RD 4266 | Bail Trip Lever |
| RD 0452 | Drag Spring Washer | RD 3443 | Spool Assembly | RD 4267 | Bail Trip Lever Washer |
| RD 0540 | Drag Click Screw | RD 3668 | Handle Screw Cap Assembly | RD 4270 | Anti-Reverse Pawl |
| RD 0579 | Eared Washer "B" | RD 3679 | Quick-Fire Trigger Assembly | RD 4271 | Anti-Reverse Cam |
| RD 0584 | Hold Click Spring | RD 3681 | Bail Spring Guide (A) | RD 4274 | Drag Shaft |
| RD 0787 | Nut Lock Screw | RD 3682 | Bail Spring | RD 4278 | Rotor |
| RD 0792 | Bearing Retainer Screw | RD 3687 | Anti-Reverse Ratchet | RD 4279 | Bail Assembly |
| RD 0826 | Key Washer "A" | RD 3688 | Anti-Reverse Lock Out | RD 4280 | Bail Spring Cover |
| RD 1506 | Bail Spring Cover Screw | RD 3692 | Anti-Reverse Pawl Spring | RD 4281 | Pinion Gear |
| RD 1511 | Lever Spring | RD 3695 | Oscillating Gear | RD 4282 | Drive Gear |
| RD 1520 | Anti-Reverse Cam Spring | RD 3699 | Handle Assembly | RD 4283 | Side Cover Screws |
| RD 1596 | Bushing Washer | RD 3741 | Anti-Reverse Lever Assembly | RD 4290 | Main Shaft Assembly |
| RD 1951 | Rotor Lock | RD 3747 | Slider Retainer Screw | RD 4291 | Body Assembly |
| RD 2016 | Drag Washer "H" (Cloth) | RD 3765 | Drag Click | | |
| RD 2257 | Drag Washer "H" (blue) | RD 3766 | Oscillating Slider | | |