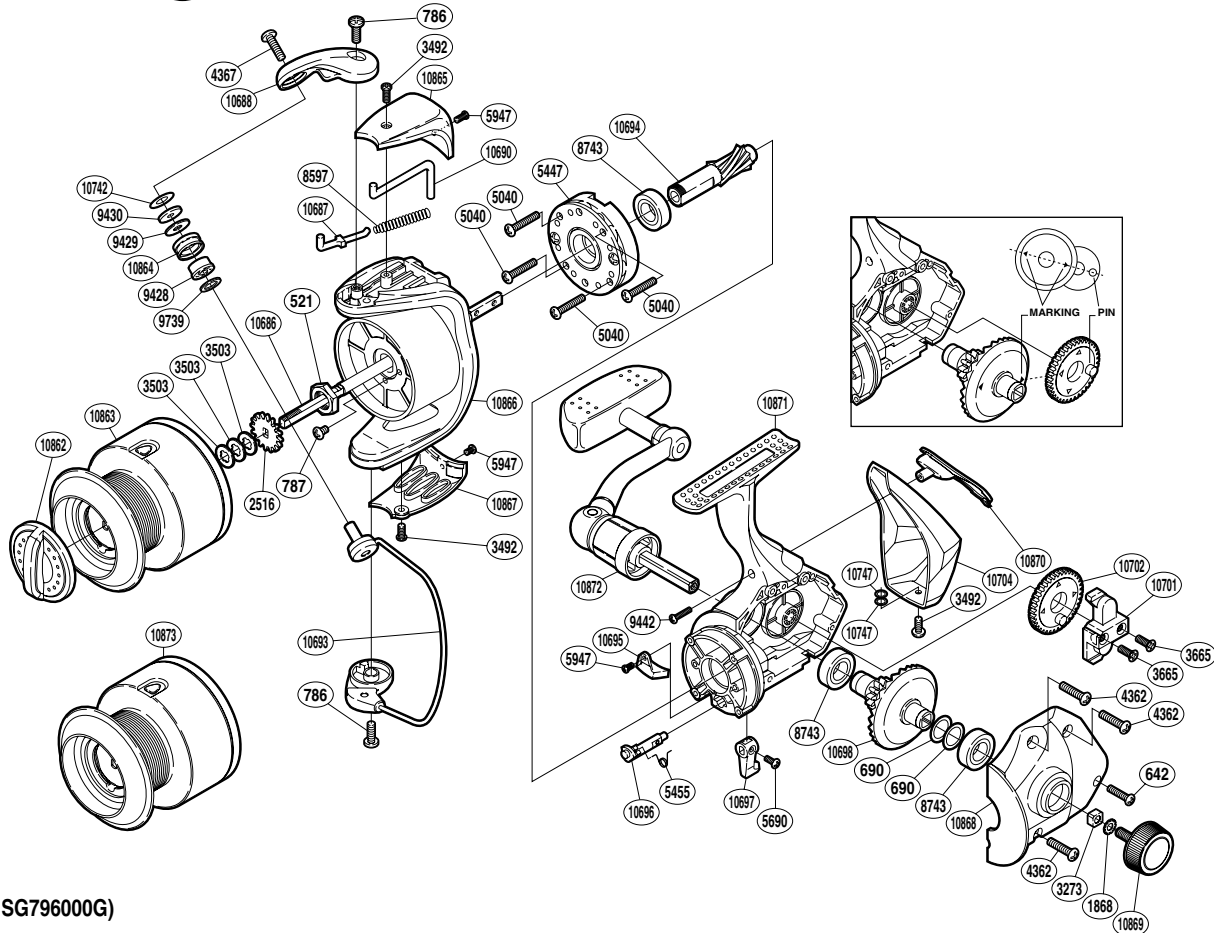


SHIMANO®

EXAGE A-RB

EXG-6000FA



(1SG79600G)

Part No.	Description	Part No.	Description	Part No.	Description
RD 0521	Rotor Nut	RD 8597	Bail Spring	RD10702	Oscillating Gear
RD 0642	Screw	RD 8743	Ball Bearing	RD10704	Rear Protector B
RD 0690	Washer	RD 9428	Line Roller Bushing	RD10742	Spacer
RD 0786	Screw	RD 9429	Line Roller Spacer	RD10747	Washer
RD 0787	Screw	RD 9430	Line Roller Washer	RD10862	Drag Knob
RD 1868	Handle Lock Washer	RD 9442	Screw	RD10863	Spool Assembly
RD 2516	Spool Support	RD 9739	Bearing Spacer	RD10864	Line Roller
RD 3273	Handle Screw Lock	RD10686	Main Shaft	RD10865	Bail Spring Cover
RD 3492	Screw	RD10687	Bail Spring Guide A	RD10866	Rotor
RD 3503	Spool Washer	RD10688	Bail Arm	RD10867	Bail Hold Support Guard
RD 3665	Screw	RD10690	Bail Trip Lever	RD10868	Side Cover
RD 4362	Screw	RD10693	Bail Assembly	RD10869	Handle Screw Cap
RD 4367	Screw	RD10694	Pinion Gear	RD10870	Rear Protector A
RD 5040	Screw	RD10695	Bail Trip Strike	RD10871	Body
RD 5447	Roller Clutch Assembly	RD10696	Anti-Reverse Cam	RD10872	Handle Assembly
RD 5455	Anti-Reverse Cam Spring	RD10697	Anti-Reverse Lever		
RD 5690	Screw	RD10698	Drive Gear		
RD 5947	Screw	RD10701	Oscillating Slider	RD10873	Spare Spool Assembly