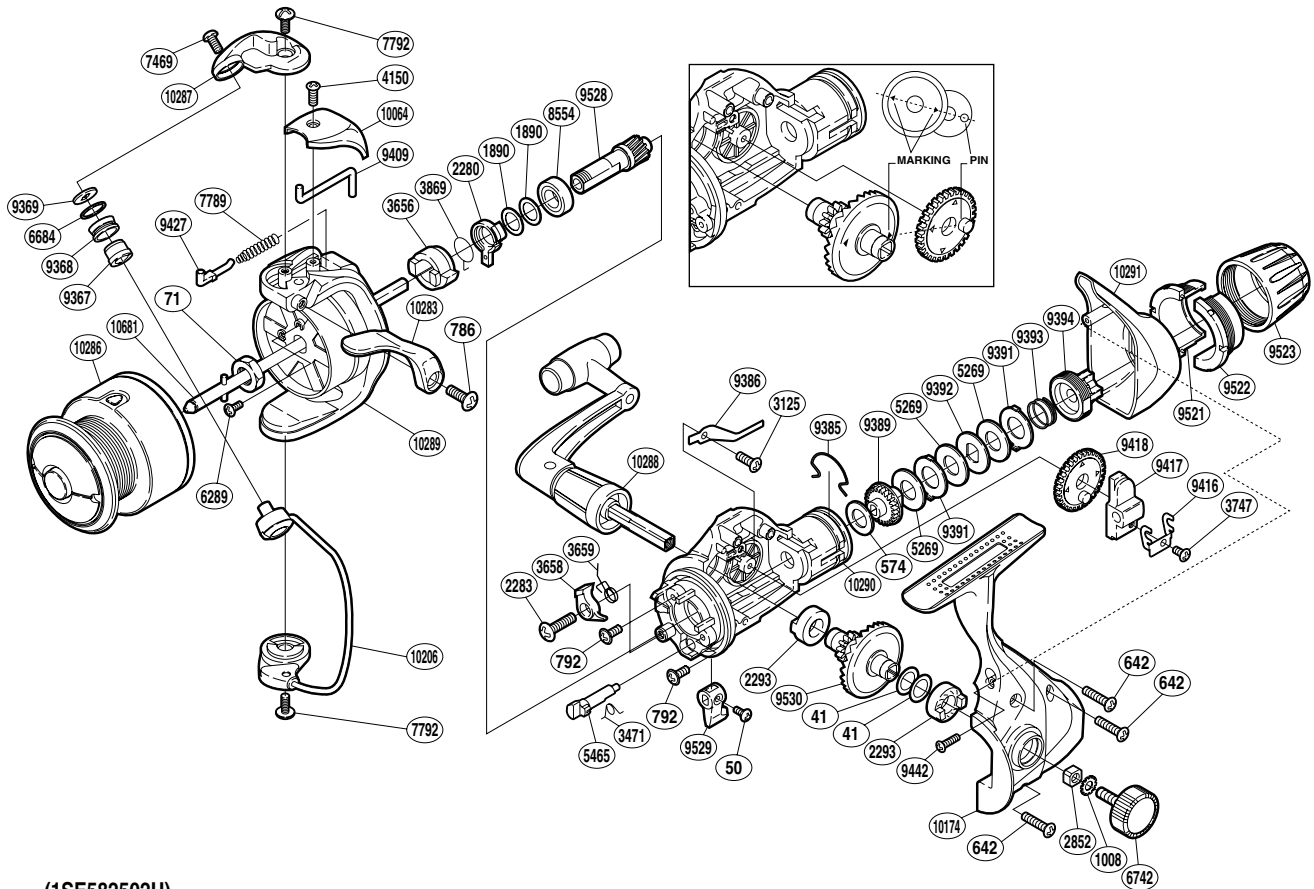


SHIMANO®

FX

FX-2500RB



(1SE582502U)

Part No.	Description	Part No.	Description	Part No.	Description
RD 0041	Washer	RD 5269	Drag Washer	RD 9417	Oscillating Slider
RD 0050	Screw	RD 5465	Anti-Reverse Cam	RD 9418	Oscillating Gear
RD 0071	Rotor Nut	RD 6289	Screw	RD 9427	Bail Spring Guide
RD 0574	Drag Washer	RD 6684	Line Roller Spacer	RD 9442	Screw
RD 0642	Screw	RD 6742	Handle Screw Cap	RD 9521	Drag Programmer B1
RD 0786	Screw	RD 7469	Screw	RD 9522	Drag Programmer B2
RD 0792	Screw	RD 7789	Bail Spring	RD 9523	Drag Programmer A
RD 1008	Handle Lock Washer	RD 7792	Screw	RD 9528	Pinion Gear
RD 1890	Washer	RD 8554	Ball Bearing	RD 9529	Anti-Reverse Lever
RD 2280	Anti-Reverse Lock Out	RD 9367	Line Roller Bushing	RD 9530	Drive Gear
RD 2283	Screw	RD 9368	Line Roller	RD10064	Bail Spring Cover
RD 2293	Drive Gear Bushing	RD 9369	Line Roller Washer	RD10174	Side Cover
RD 2852	Handle Screw Lock	RD 9385	Hold Click Spring	RD10206	Bail Assembly
RD 3125	Screw	RD 9386	Drag Click	RD10283	Quick-Fire II Trigger
RD 3471	Anti-Reverse Cam Spring	RD 9389	Drag Shaft	RD10286	Spool Assembly
RD 3656	Anti-Reverse Ratchet	RD 9391	Eared Washer	RD10287	Bail Arm
RD 3658	Anti-Reverse Pawl	RD 9392	Key Washer	RD10288	Handle Assembly
RD 3659	Anti-Reverse Pawl Spring	RD 9393	Drag Coil Spring	RD10289	Rotor
RD 3747	Screw	RD 9394	Pressure Screw	RD10290	Body
RD 3869	Anti-Reverse Lock Out Spring	RD 9409	Bail Trip Lever	RD10291	Rear Protector
RD 4150	Screw	RD 9416	Oscillating Slider Retainer	RD10681	Main Shaft

(170928)