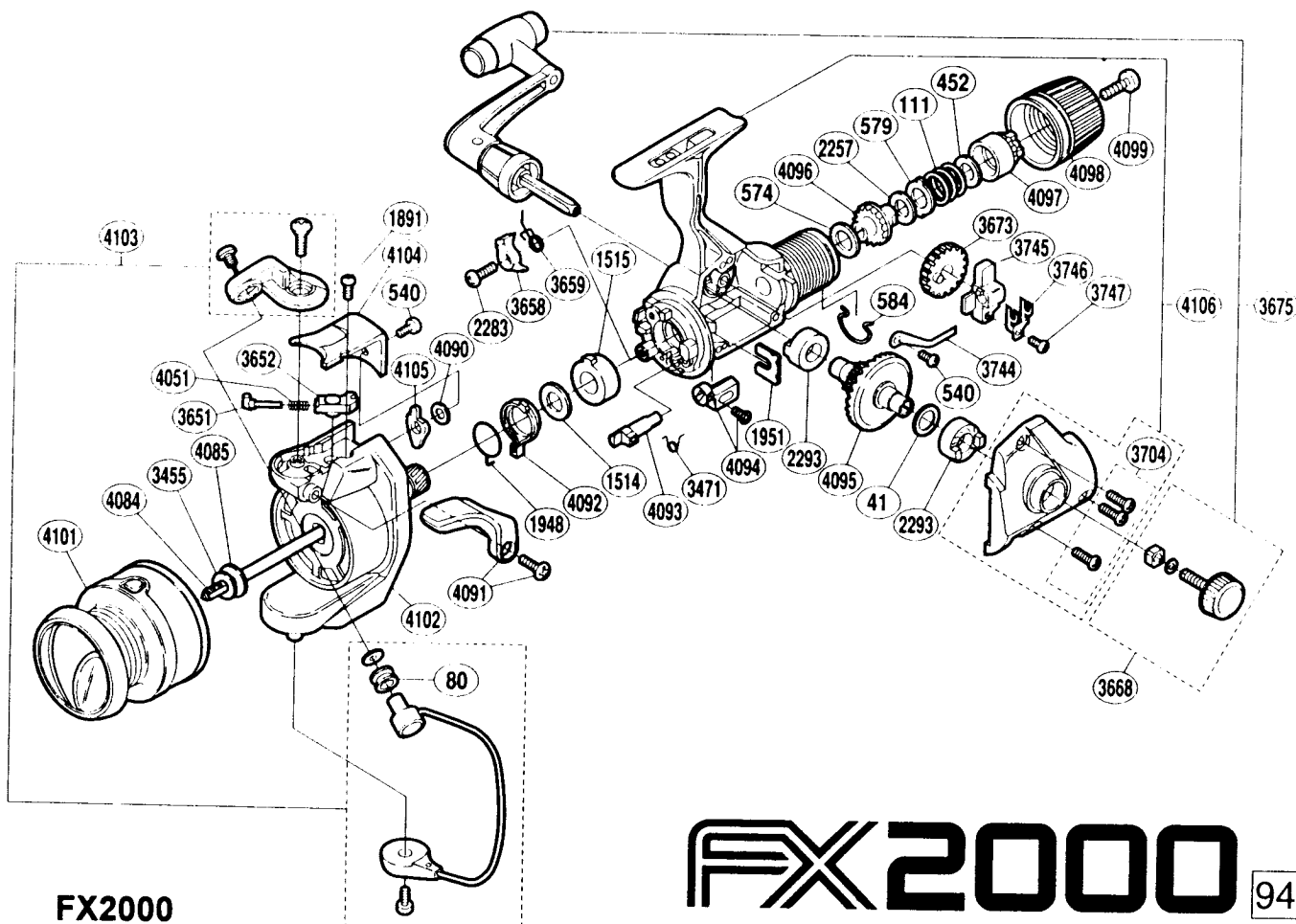


# SHIMANO®

## 1994 REPAIR MANUAL

Shimano American Corporation, One Shimano Dr.  
Irvine, CA 92718



**FX2000**

**FX2000** 94

PART #	DESCRIPTION	PART #	DESCRIPTION	PART #	DESCRIPTION
RD 0041	Drive Gear Washer	RD 3471	Anti-reverse Cam Spring	RD 4090	Bail Trip Lever Washer
RD 0080	Line Roller	RD 3651	Bail Spring Guide "A"	RD 4091	Quick Fire II Trigger Assembly
RD 0111	Drag Coil Spring	RD 3652	Bail Spring Guide "B"	RD 4092	Anti-reverse Lock Out
RD 0452	Drag Spring Washer	RD 3658	Anti-reverse Pawl	RD 4093	Anti-reverse Cam
RD 0540	Drag Click Screw	RD 3659	Anti-reverse Pawl Spring	RD 4094	Anti-reverse Lever Assembly
RD 0574	Drag Washer "C2"	RD 3668	Handle Screw Cap Assembly	RD 4095	Drive Gear
RD 0579	Eared Washer "B"	RD 3673	Oscillating Gear	RD 4096	Drag Shaft
RD 0584	Hold Click Spring	RD 3675	Handle Assembly	RD 4097	Pressure Screw
RD 1514	Bushing Washer	RD 3704	Side Covers Screws	RD 4098	Drag Knob
RD 1515	Bushing	RD 3744	Drag Click	RD 4099	Drag Knob Screw
RD 1891	Bail Spring Cover Screw	RD 3745	Oscillating Slider	RD 4101	Spool Assembly
RD 1948	Anti-reverse Lock Out Spring	RD 3746	Oscillating Slider Retainer	RD 4102	Rotor Assembly
RD 1951	Rotor Lock	RD 3747	Slider Retainer Screw	RD 4103	Bail Assembly
RD 2257	Drag Washer "H1"	RD 4051	Bail Spring	RD 4104	Bail Spring Cover
RD 2283	Anti-reverse Pawl Screw	RD 4084	Main Shaft	RD 4105	Bail Trip Lever
RD 2293	Drive Gear Bushing	RD 4085	Spool Support	RD 4106	Body Assembly
RD 3455	Spool Washer				