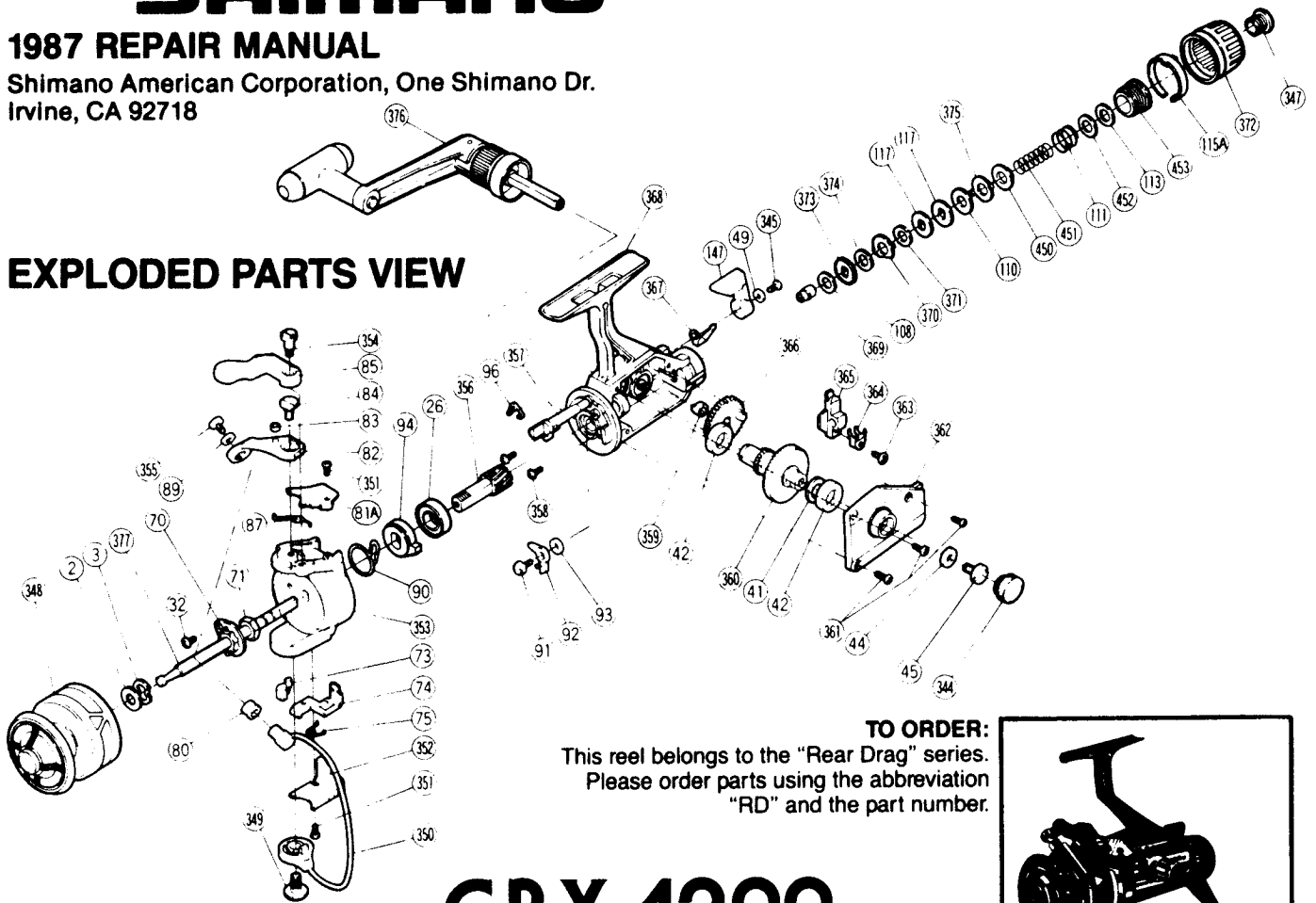


SHIMANO®

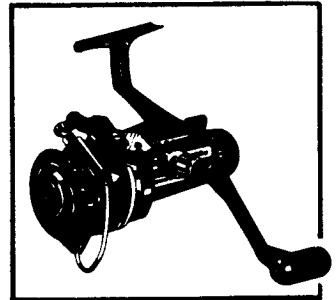
1987 REPAIR MANUAL

Shimano American Corporation, One Shimano Dr.
Irvine, CA 92718

EXPLODED PARTS VIEW



TO ORDER:
This reel belongs to the "Rear Drag" series.
Please order parts using the abbreviation
"RD" and the part number.



GRX-1200

PARTS LIST

PART# DESCRIPTION

- 2. Spool Spacer
- 3. Tension Spring
- 26. Ball Bearing
- 32. Multi Purpose Screw
- 41. Thrust Washer
- 42. Drive Gear Bushing
- 44. Handle Screw Lock Washer
- 45. Handle Screw
- 49. Lock Washer
- 70. Rotor Nut Lock
- 71. Rotor Nut
- 73. Trip Plate Cam
- 74. Trip Plate
- 75. Trip Plate Spring
- 80. Roller Line Guide
- 81A. Bail Spring Cover
- 82. Bail Mount
- 83. Trigger Pin Roller
- 84. Bail Mount Screw
- 85. QuickFire Trigger
- 87. Bail Spring
- 89. Guide Screw Lock Washer
- 90. Rotor Stop Spring
- 91. Anti Reverse Dog Screw

PART# DESCRIPTION

- 92. Anti Reverse Dog
- 93. Anti Reverse Dog Spacer
- 94. Self Center Ratchet
- 96. Anti Reverse Shaft Spring
- 108. Drag Washer A
- 110. Drag Washer E
- 111. Drag Spring
- 113. Friction Washer
- 115A. Stop Ring
- 117. D Washer
- 147. Anti Reverse Lever
- 344. Dust Cap
- 345. Anti Reverse Lever Screw
- 347. Drag Screw
- 348. Spool
- 349. Bail Screw
- 350. Bail Wire
- 351. Cover Screw
- 352. Trip Plate Cover
- 353. Rotor
- 354. Trigger Screw
- 355. Bail Wire Screw
- 356. Pinion Gear
- 357. Anti Reverse Shaft

PART# DESCRIPTION

- 358. Bearing Retainer Screw
- 359. Oscillation Gear Bushing
- 360. Drive Gear
- 361. Side Plate Screw #1
- 362. Side Plate
- 363. Oscillation Guide Screw
- 364. Oscillation Guide Lock
- 365. Oscillation Block
- 366. Oscillation Gear
- 367. Drag Knob Click Spring
- 368. Housing
- 369. Drag Shaft
- 370. Keyed Washer #2
- 371. Drag Washer C
- 372. Drag Adjusting Knob
- 373. Ratchet Washer
- 374. Drag Washer B
- 375. Keyed Washer #1
- 376. Handle
- 377. Spindle
- 450. Lock Washer
- 451. Lock Spring
- 452. Base Spring Washer
- 453. Spring Housing

Prices and specifications subject to change without notice

JUNE 1986