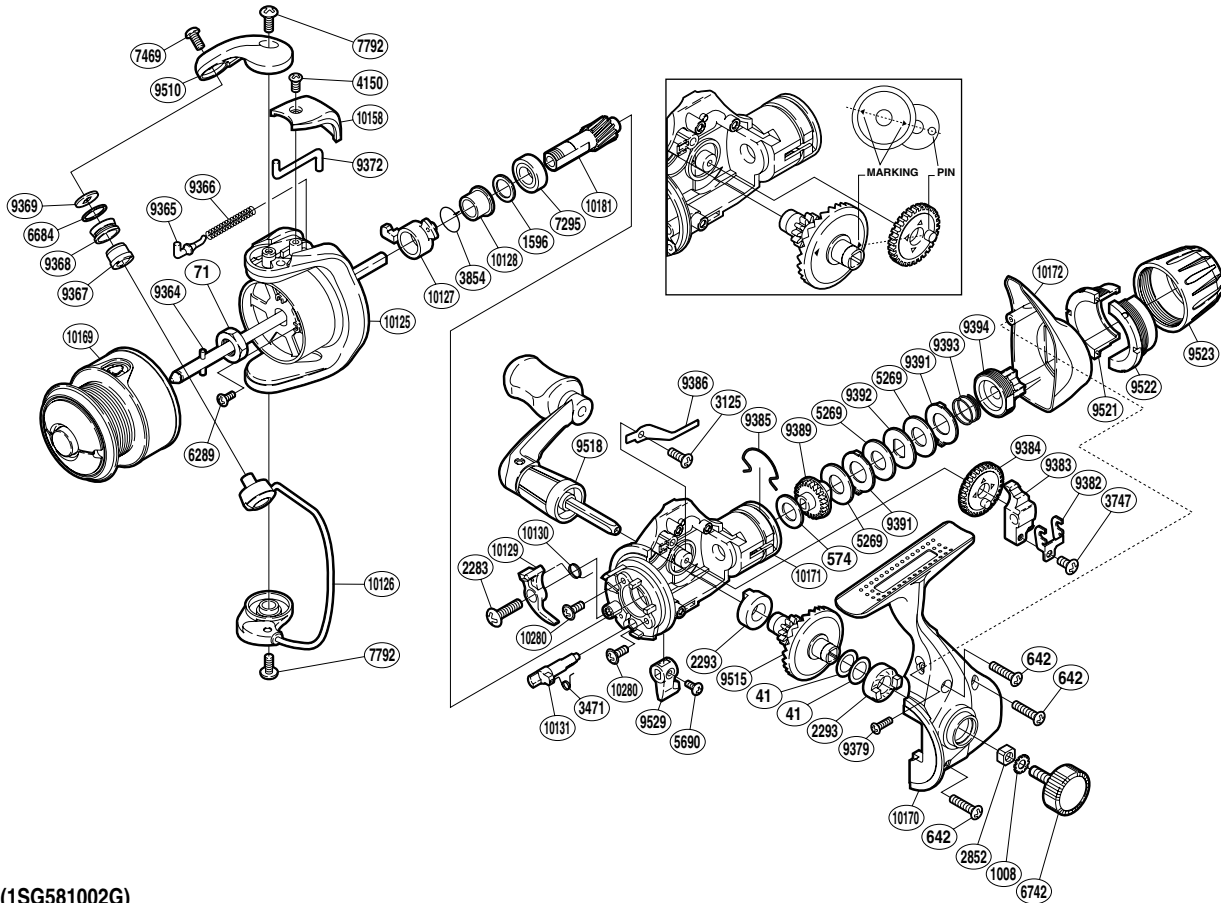


SHIMANO®

HYPERLOOP

HL-1000RB



(1SG581002G)

| Part No. | Description | Part No. | Description | Part No. | Description |
|----------|------------------------------|----------|-----------------------------|----------|--------------------------|
| RD 0041 | Washer | RD 7792 | Screw | RD 9518 | Handle Assembly |
| RD 0071 | Rotor Nut | RD 9364 | Main Shaft | RD 9521 | Drag Programmer B1 |
| RD 0574 | Drag Washer | RD 9365 | Bail Spring Guide | RD 9522 | Drag Programmer B2 |
| RD 0642 | Screw | RD 9366 | Bail Spring | RD 9523 | Drag Programmer A |
| RD 1008 | Handle Lock Washer | RD 9367 | Line Roller Bushing | RD 9529 | Anti-Reverse Lever |
| RD 1596 | Washer | RD 9368 | Line Roller | RD10125 | Rotor |
| RD 2283 | Screw | RD 9369 | Line Roller Washer | RD10126 | Bail Assembly |
| RD 2293 | Drive Gear Bushing | RD 9372 | Bail Trip Lever | RD10127 | Anti-Reverse Lock Out |
| RD 2852 | Handle Screw Lock | RD 9379 | Screw | RD10128 | Lock Out Spring Holder |
| RD 3125 | Screw | RD 9382 | Oscillating Slider Retainer | RD10129 | Anti-Reverse Pawl |
| RD 3471 | Anti-Reverse Cam Spring | RD 9383 | Oscillating Slider | RD10130 | Anti-Reverse Pawl Spring |
| RD 3747 | Screw | RD 9384 | Oscillating Gear | RD10131 | Anti-Reverse Cam |
| RD 3854 | Anti-Reverse Lock Out Spring | RD 9385 | Hold Click Spring | RD10158 | Bail Spring Cover |
| RD 4150 | Screw | RD 9386 | Drag Click | RD10169 | Spool Assembly |
| RD 5269 | Drag Washer | RD 9389 | Drag Shaft | RD10170 | Side Cover |
| RD 5690 | Screw | RD 9391 | Eared Washer | RD10171 | Body |
| RD 6289 | Screw | RD 9392 | Key Washer | RD10172 | Rear Protector |
| RD 6684 | Line Roller Spacer | RD 9393 | Drag Coil Spring | RD10181 | Pinion Gear |
| RD 6742 | Handle Screw Cap | RD 9394 | Pressure Screw | RD10280 | Screw |
| RD 7295 | Ball Bearing | RD 9510 | Bail Arm | | |
| RD 7469 | Screw | RD 9515 | Drive Gear | | |