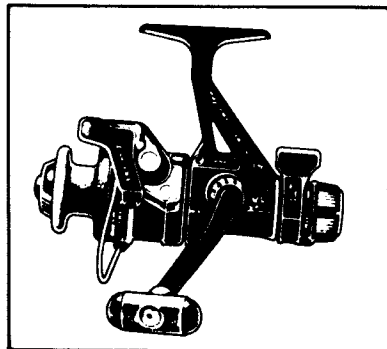


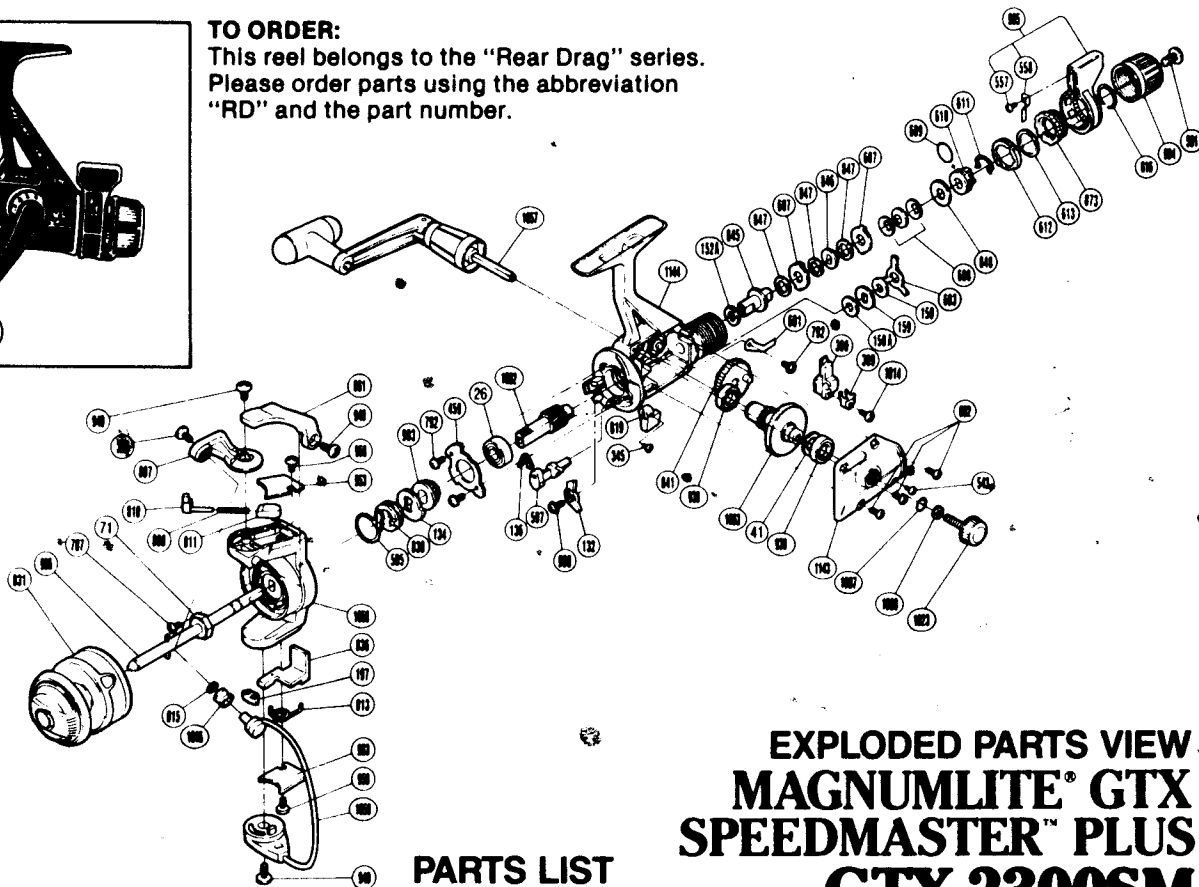
SHIMANO®

1987 REPAIR MANUAL

Shimano American Corporation, One Shimano Dr.
Irvine, CA 92718



TO ORDER:
This reel belongs to the "Rear Drag" series.
Please order parts using the abbreviation
"RD" and the part number.



PARTS LIST

EXPLODED PARTS VIEW MAGNUMLITE® GTX SPEEDMASTER™ PLUS GTX 2300SM

PART # DESCRIPTION

- 26. Ball Bearing
- 41. Drag Gear Washer
- 71. Rotor Nut
- 132. Anti-Reverse Pawl Assembly
- 134. Anti-Reverse Ratchet
- 136. Anti-Reverse Cam Spring
- 150. Drag Washer "C1" (Black)
- 150A. Drag Washer "C2" (White)
- 152A. Drag Washer "D2" (White)
- 159. Click Gear
- 197. Bail Trip Slide Cam
- 345. Anti-Reverse Lever Screw
- 355. Line Roller Screw
- 389. Oscillating Slider Retainer
- 390. Oscillating Slider
- 459. Bearing Retainer
- 543. Side Cover Screw (B)
- 557. Fightin' Lever Click Screw
- 558. Fightin' Lever Click
- 591. Drag Programmer Screw
- 595. Anti-Reverse Pawl Spring
- 597. Anti-Reverse Cam
- 601. Drag Click
- 602. Side Cover Screw A
- 603. Eared Washer "BF"

PART # DESCRIPTION

- 607. Eared Washer "B"
- 608. Coned Disc Spring
- 609. "O" Ring
- 610. Pressure Screw
- 611. Hold Click Spring
- 612. Lever Click Gear
- 613. Fightin' Pressure Screw Washer
- 616. Lever Hold Spring
- 787. Nut Lock Screw
- 792. Bearing Retainer Screw
- 807. Bail Arm
- 808. Bail Spring
- 810. Bail Spring Guide A
- 811. Bail Spring Guide B
- 813. Lever Spring
- 815. Line Roller Washer
- 819. Anti-Reverse Lever
- 831. Spool Assembly (Universal)
- 836. Bail Trip Lever
- 839. Anti-Reverse Spring Holder
- 841. Oscillating Gear
- 845. Drag Shaft
- 846. Key Washer "A"
- 847. Drag Washer "H1"

PART # DESCRIPTION

- 848. Drag Spring Washer "A"
- 861. Quick-Fire II Trigger
- 873. Fightin' Pressure Screw
- 903. Pinion Spacer
- 930. Ball Bearing
- 940. Bail Trip Cam Screw
- 949. Trigger Screw
- 953. Bail Spring Cover
- 958. Bail Trip Cover Screw
- 963. Bail Trip Cover
- 966. Main Shaft
- 994. Drag Programmer
- 995. Fightin' Drag Lever
- 999. Anti-Reverse Pawl Screw
- 1007. Lock Washer Retainer
- 1008. Handle Lock Washer
- 1014. Slider-Retainer Screw
- 1023. Handle Screw Cap
- 1046. Sic Ceramic Roller
- 1057. Handle Assembly
- 1058. Rotor
- 1059. Bail Assembly
- 1062. Pinion Gear
- 1063. Drive Gear
- 1143. Side Cover
- 1144. Body