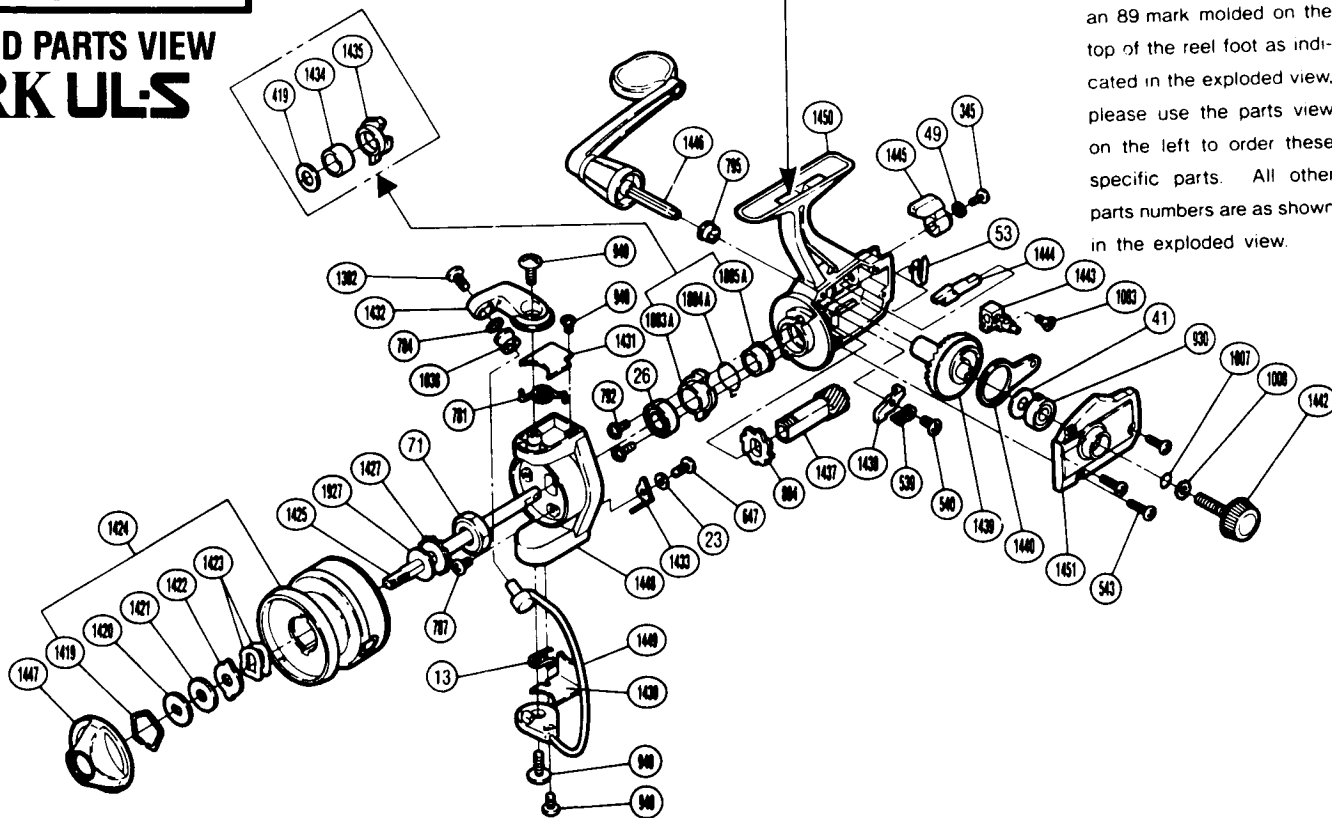


## EXPLODED PARTS VIEW MARK ULS

※Please look here for (89) mark here  
(e.g. (89) (MC) JAPAN)



※If your reel does not have an 89 mark molded on the top of the reel foot as indicated in the exploded view, please use the parts view on the left to order these specific parts. All other parts numbers are as shown in the exploded view.

## PARTS LIST

### PART # DESCRIPTION

RD 0013	(Trip) Lever Spring
RD 0023	Trip Lever Spacer
RD 0026	Ball Bearing
RD 0041	Drive Gear Washer
RD 0049	Lock Washer
RD 0053	Anti-Reverse Cam Spring
RD 0071	Rotor Nut
RD 0345	Anti-Reverse Lever Screw
RD 0419	Bushing Washer (B)
RD 0539	Anti-Reverse Pawl Spring
RD 0540	Anti-Reverse Pawl Screw
RD 0543	Side Cover Screw (B)
RD 0647	Nut Lock Screw
RD 0781	Bail Spring
RD 0784	Line Roller Washer
RD 0787	Nut Lock Screw
RD 0792	Bearing Retainer Screw
RD 0795	Bushing B
RD 0884	Anti-Reverse Ratchet
RD 0930	Ball Bearing

### PART # DESCRIPTION

RD 0940	Bail Trip Cam Screw
RD 0948	Bail Trip Cover Screw
RD 1007	Lock Washer Retainer
RD 1008	Handle Lock Washer
RD 1038	Sic Ceramic Roller
RD 1083	Slider Retainer Screw
RD 1302	Line Roller Screw
RD 1419	Drag Washers Retainer
RD 1420	Key Washer
RD 1421	Drag Washer
RD 1422	Eared Washer
RD 1423	Drag Spring
RD 1424	Spool Assembly
RD 1425	Main Shaft
RD 1427	Spool Support
RD 1430	Bail Trip Cover
RD 1431	Bail Spring Cover
RD 1432	Bail Arm
RD 1433	Bail Trip Lever
RD 1434	Pinion Spacer

### PART # DESCRIPTION

RD 1435	Anti-Reverse Lock Out
RD 1437	Pinion Gear
RD 1438	Anti-Reverse Pawl
RD 1439	Drive Gear
RD 1440	Oscillating Arm
RD 1442	Handle Screw Cap
RD 1443	Oscillating Block
RD 1444	Anti-Reverse Cam
RD 1445	Anti-Reverse Lever
RD 1446	Handle Assembly
RD 1447	Drag Knob
RD 1448	Rotor
RD 1449	Bail Assembly
RD 1450	Body
RD 1451	Side Cover
RD 1883A	Anti-Reverse Lock Out
RD 1884A	Anti-Reverse Lock Spring
RD 1885A	Pinion Spacer
RD 1927	Spool Washer