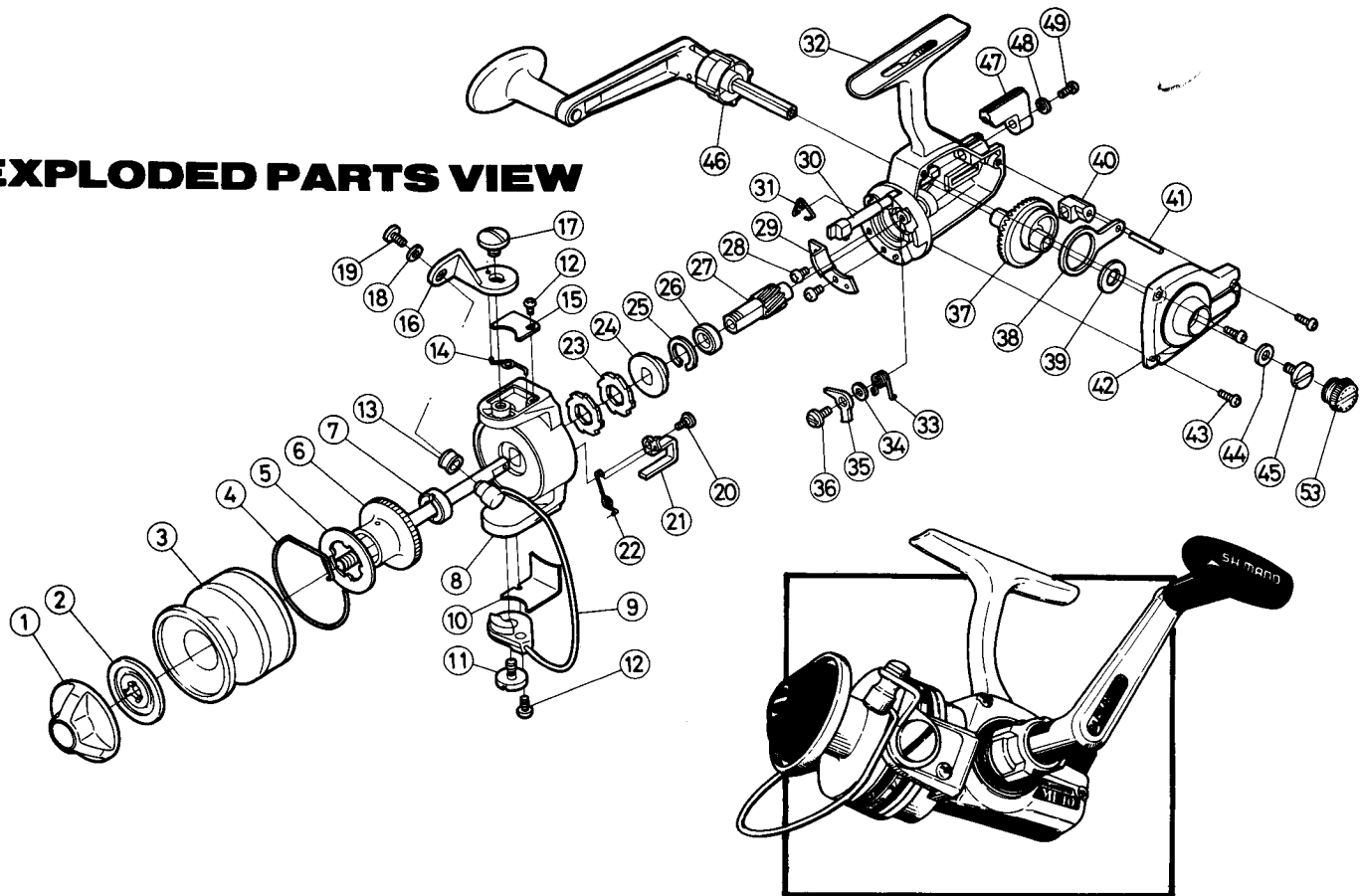


REPAIR MANUAL SHEET NO. ML-10

Shimano American Corporation, 205 Jefferson Road
Parsippany, N.J. 07054

EXPLODED PARTS VIEW



PARTS LIST

PART#	DESCRIPTION	PRICE	PART#	DESCRIPTION	PRICE	PART#	DESCRIPTION	PRICE
1	Drag Adjusting Knob	1.05	18	Bail Nut Lock Washer	.15	35	A/R Dog	.40
2	Drag Disk	.35	19	Line Guide Screw	.40	36	A/R Dog Screw	.20
3	Spool	6.60	20	Trip Lever Screw	.40	37	Drive Gear	1.00
4	Click Spring	.40	21	Trip Lever	.90	38	Oscillation Guide	.30
5	Base Drag Washer	.20	22	Trip Lever Spring	.30	39	Thrust Washer	.15
6	Spindle	1.30	23	Anti Reverse Ratchet	.50	40	Oscillation Block	.40
7	Rotor Nut	.40	24	Bearing Retainer	.40	41	Oscillation Pin	.15
8	Rotor	3.60	25	Snap Ring	.25	42	Side Plate	2.25
9	Bail Wire	1.65	26	Ball Bearing (Rotor)	4.75	43	Side Plate Screw	.15
10	Trip Lever Cover	.25	27	Pinion Gear	1.50	44	Handle Screw Washer	.15
11	Bail Wire Screw	.40	28	Trip Cam Screw	.15	45	Handle Retainer Screw	.40
12	Cover Screw	.15	29	Bail Trip Cam	.50	46	Handle Assembly	5.60
13	Roller Line Guide	.50	30	Anti Reverse Shaft	.75	47	A/R Lever	.40
14	Bail Spring	.20	31	Click Spring	.20	48	A/R Lever Lock Washer	.15
15	Bail Spring Cover	.20	32	Housing	6.50	49	A/R Lever Screw	.15
16	Bail Mount	1.00	33	A/R Dog Spring	.15	53	Dust Cap	.25
17	Bail Mount Screw	.50	34	A/R Dog Spacer	.15			

Prices and specifications subject to change without notice.

FEBRUARY 1982