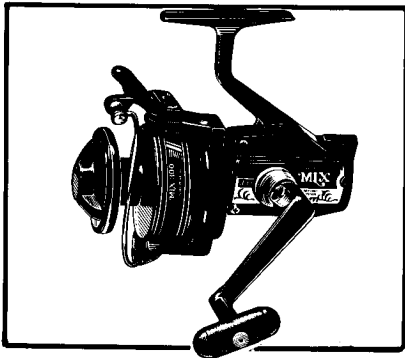
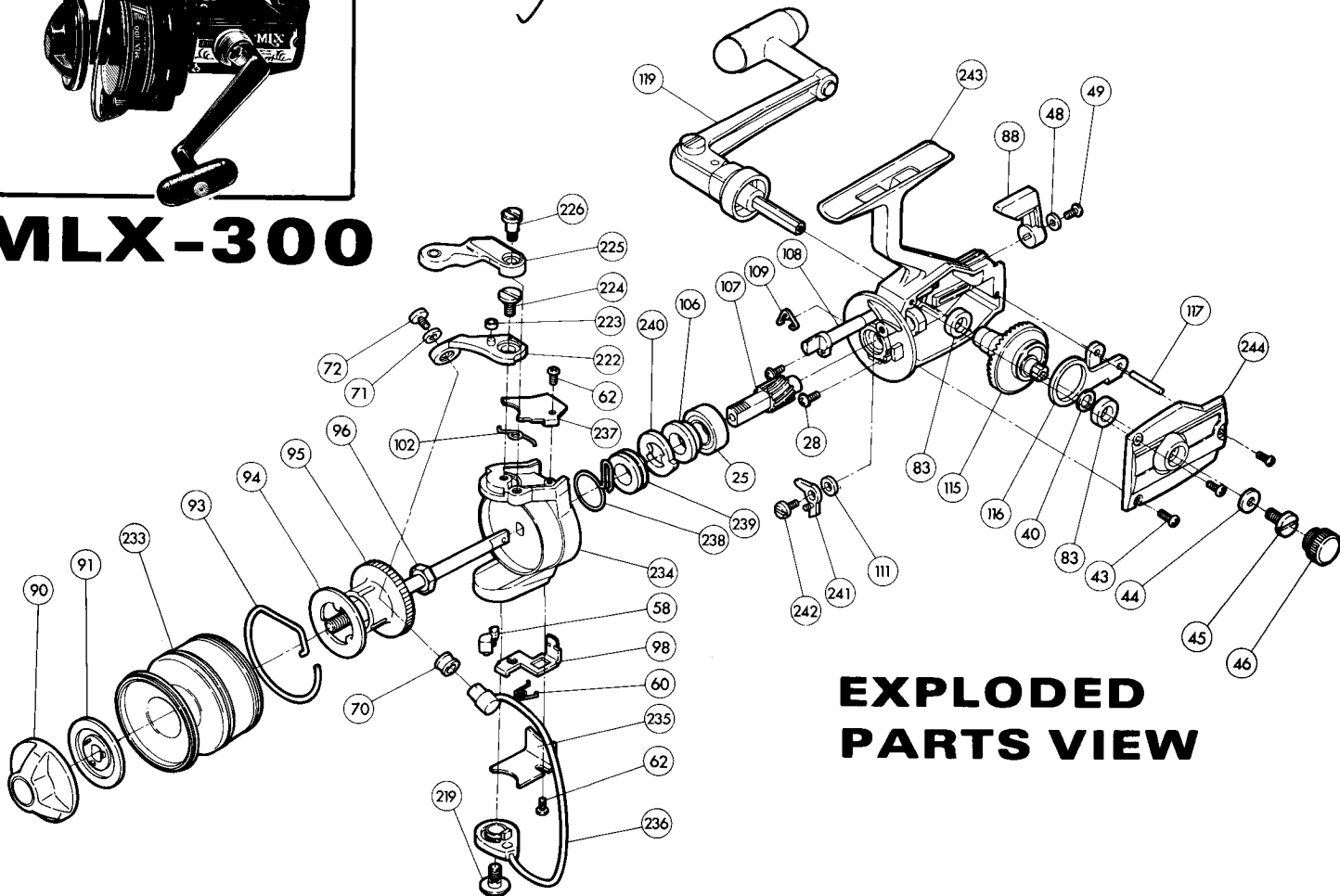


REPAIR MANUAL SHEET MLX-300

Shimano American Corporation, 205 Jefferson Road
Parsippany, N.J. 07054



MLX-300



EXPLODED PARTS VIEW

PARTS LIST

| PART# | DESCRIPTION | PRICE | PART# | DESCRIPTION | PRICE | PART# | DESCRIPTION | PRICE |
|-------|-------------------------------|-------|-------|-----------------------------|-------|-------|------------------------|-------|
| 25 | Ball bearing | 5.00 | 91 | Drag disk | .50 | 223 | Trigger pin roller | .15 |
| 28 | Bearing retainer screw | .15 | 93 | Click spring | .50 | 224 | Bail mount screw | .35 |
| 40 | Drive gear spacer (optional) | .15 | 94 | Base drag disk | .15 | 225 | Fast cast trigger | 2.00 |
| 43 | Side plate screw | .15 | 95 | Spindle | 1.75 | 226 | Trigger screw | .25 |
| 44 | Lock washer | .15 | 96 | Rotor nut | .25 | 233 | Spool shell | 12.00 |
| 45 | Handle screw | .15 | 98 | Trip plate | .75 | 234 | Rotor | 4.75 |
| 46 | Dust cap | .25 | 102 | Bail spring | .25 | 235 | Trip lever cover | .25 |
| 48 | Anti reverse lever lock wash. | .15 | 106 | Anti reverse ratchet spacer | .45 | 236 | Bail wire | 2.00 |
| 49 | Anti reverse lever screw | .15 | 107 | Pinion gear | 2.00 | 237 | Bail spring cover | .45 |
| 58 | Trip plate cam | .25 | 108 | Anti reverse shaft | .50 | 238 | Rotor stop spring | .35 |
| 60 | Trip plate spring | .25 | 109 | Anti reverse shaft spring | .15 | 239 | Stop spring arbor | .45 |
| 62 | Cover screw | .25 | 111 | Anti reverse dog spacer | .15 | 240 | Self center ratchet | .60 |
| 70 | Roller line guide | .50 | 115 | Drive gear | 1.00 | 241 | Anti reverse dog | .50 |
| 71 | Lock washer | .15 | 116 | Oscillation guide | .35 | 242 | Anti reverse dog screw | .65 |
| 72 | Bail wire screw | .25 | 117 | Oscillation guide pin | .15 | 243 | Housing | 6.50 |
| 83 | Drive gear bushing | .45 | 119 | Handle | 6.00 | 244 | Side plate | 3.25 |
| 88 | Anti reverse lever | .25 | 219 | Bail wire screw | .45 | | | |
| 90 | Drag adjusting knob | 1.25 | 222 | Bail mount | 1.50 | | | |

Prices and specifications subject to change without notice.

Mar. 6 '81