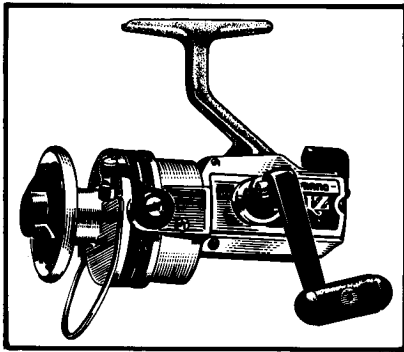
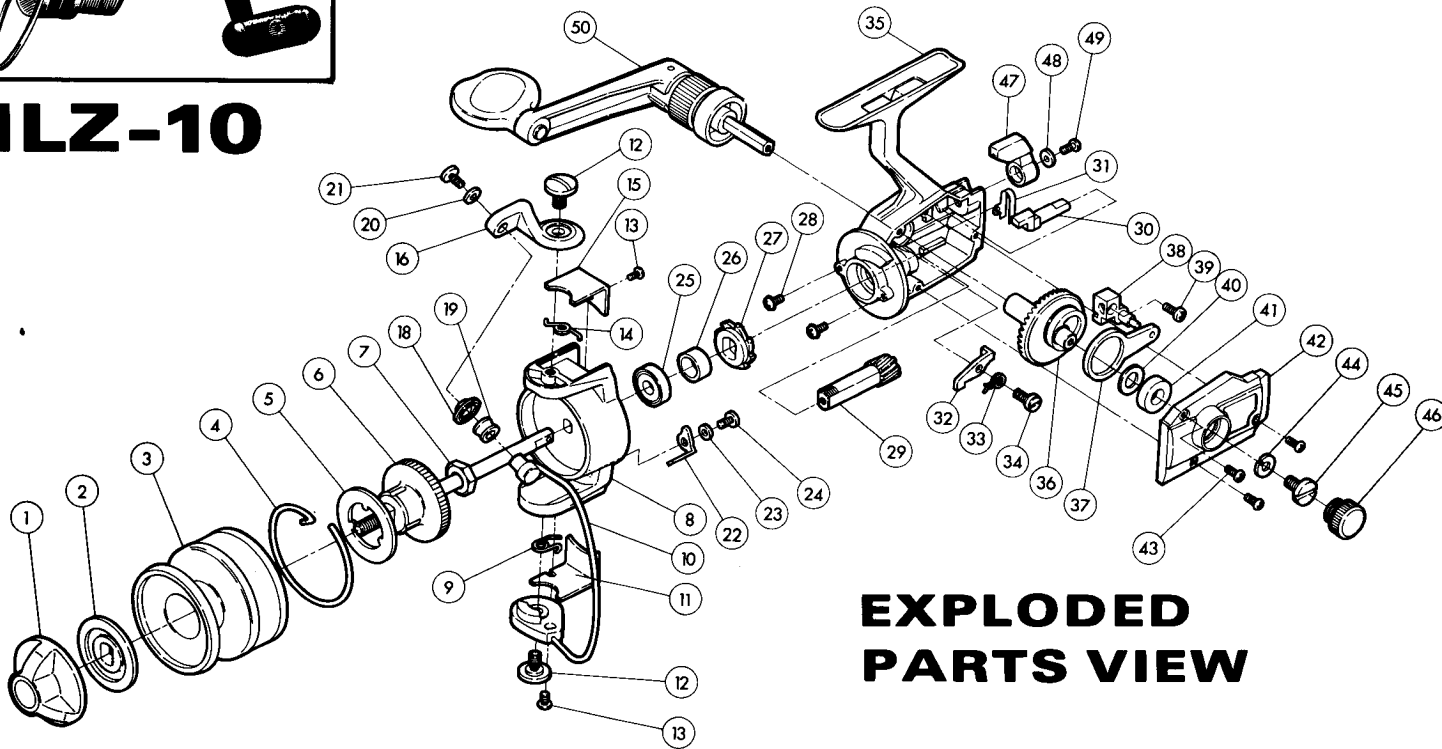


REPAIR MANUAL SHEET MLZ-10

Shimano American Corporation, 205 Jefferson Road
Parsippany, N.J. 07054



MLZ-10



EXPLODED PARTS VIEW

PARTS LIST

PART#	DESCRIPTION	PRICE	PART#	DESCRIPTION	PRICE	PART#	DESCRIPTION	PRICE
1	Drag adjusting knob	1.00	19	Roller line guide	.50	36	Drive gear	1.00
2	Drag disk	.25	20	Line guide screw lock wash.	.15	37	Oscillation guide	.25
3	Spool shell	5.25	21	Line guide screw	.25	38	Oscillation block	.35
4	Click spring	.50	22	Trip lever	.50	39	Oscillation block screw	.15
5	Base drag disk	.15	23	Spacer washer	.15	40	Drive gear spacer (optional)	.15
6	Spindle	1.50	24	Trip lever screw	.25	41	Drive gear bushing	.35
7	Rotor nut	.15	25	Ball bearing	5.00	42	Side plate	2.00
8	Rotor	3.50	26	Ratchet spacer	.25	43	Side plate screw	.15
9	Trip lever spring	.15	27	Anti reverse ratchet	.75	44	Lock washer	.15
10	Bail wire	1.80	28	Bearing retainer screw	.15	45	Handle screw	.15
11	Trip lever cover	.25	29	Pinion gear	1.75	46	Dust cap	.25
12	Bail wire screw	.45	30	Anti reverse shaft	.50	47	Anti reverse lever	.25
13	Cover screw	.15	31	Anti reverse shaft spring	.25	48	Anti reverse lever lock wash.	.15
14	Bail spring	.25	32	Anti reverse dog	.35	49	Anti reverse lever screw	.15
15	Bail spring cover	.25	33	Anti reverse dog spring	.15	50	Handle	5.00
16	Bail mount	.45	34	Anti reverse dog screw	.15			
18	Line guide cover	.25	35	Housing	5.00			

Prices and specifications subject to change without notice.

Mar. 6 '81