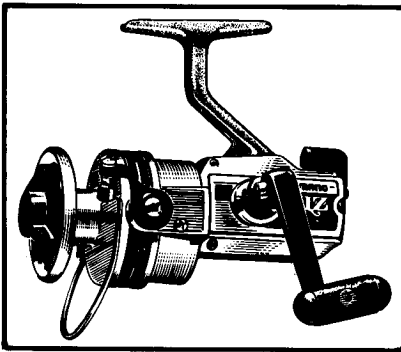
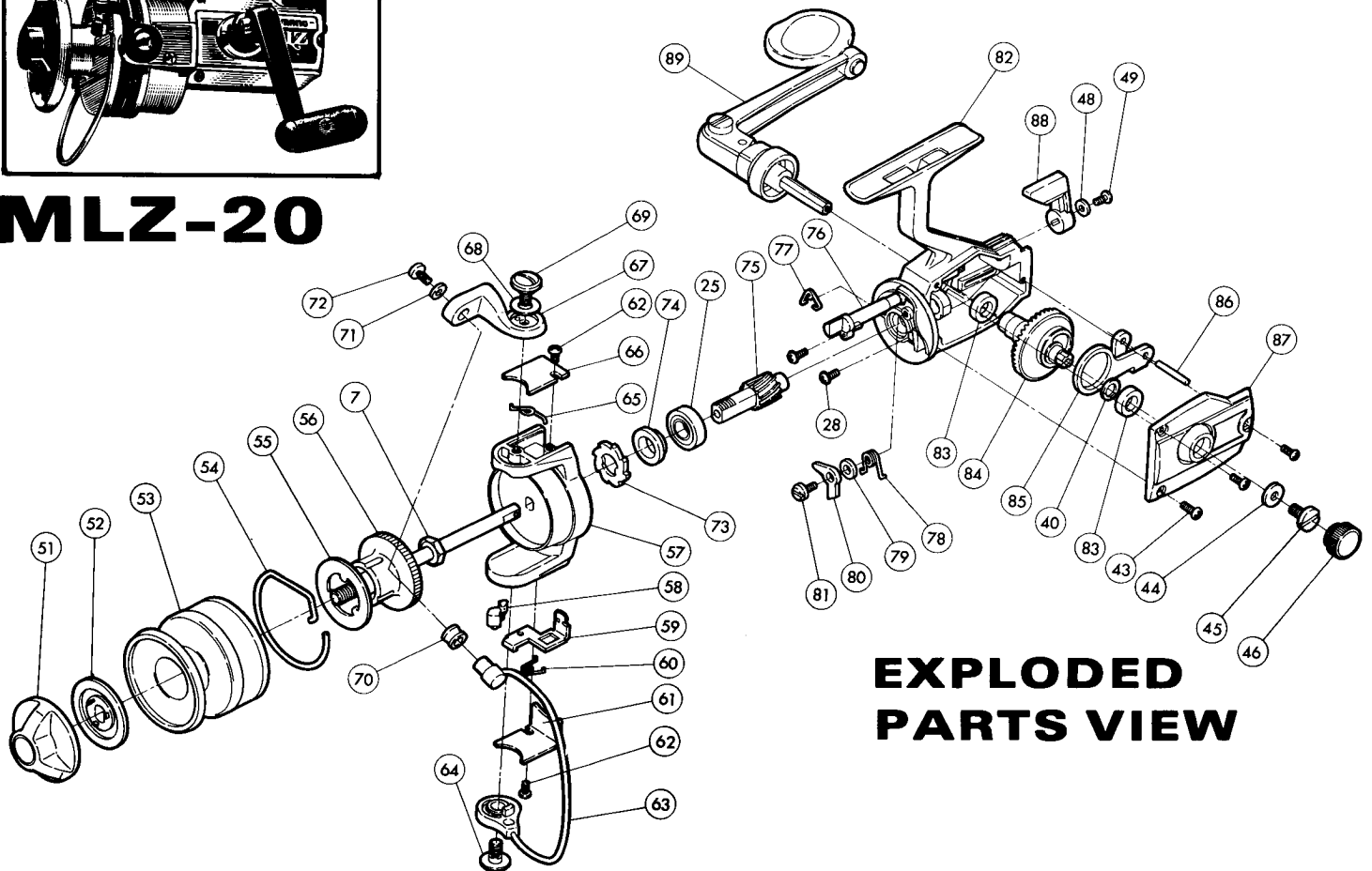


REPAIR MANUAL SHEET MLZ-20

Shimano American Corporation, 205 Jefferson Road
Parsippany, N.J. 07054



MLZ-20



EXPLODED PARTS VIEW

PARTS LIST

| PART# | DESCRIPTION | PRICE | PART# | DESCRIPTION | PRICE | PART# | DESCRIPTION | PRICE |
|-------|-------------------------------|-------|-------|-----------------------------|-------|-------|---------------------------|-------|
| 7 | Rotor nut | .15 | 58 | Trip plate cam | .25 | 75 | Pinion gear | 2.00 |
| 25 | Ball bearing | 5.00 | 59 | Trip plate | .75 | 76 | Anti reverse shaft | .60 |
| 28 | Bearing retainer screw | .15 | 60 | Trip plate spring | .25 | 77 | Anti reverse shaft spring | .15 |
| 40 | Drive gear spacer (optional) | .15 | 61 | Trip plate cover | .25 | 78 | Anti reverse dog spring | .15 |
| 43 | Side plate screw | .15 | 62 | Cover screw | .25 | 79 | Anti reverse shaft spacer | .15 |
| 44 | Lock washer | .15 | 63 | Bail wire | 1.80 | 80 | Anti reverse dog | .35 |
| 45 | Handle screw | .15 | 64 | Bail wire screw | .55 | 81 | Anti reverse dog screw | .25 |
| 46 | Dust cap | .25 | 65 | Bail spring | .25 | 82 | Housing | 5.25 |
| 48 | Anti reverse lever lock wash. | .15 | 66 | Bail spring cover | .15 | 83 | Drive gear bushing | .45 |
| 49 | Anti reverse lever screw | .15 | 67 | Bail mount | 1.50 | 84 | Drive gear | 1.00 |
| 51 | Drag adjusting knob | 1.25 | 68 | Bail mount washer (opt.) | .15 | 85 | Oscillation guide | .25 |
| 52 | Drag disk | .25 | 69 | Bail mount screw | .35 | 86 | Oscillation guide pin | .15 |
| 53 | Spool shell | 8.00 | 70 | Roller line guide | .50 | 87 | Side plate | 2.75 |
| 54 | Click spring | .35 | 71 | Lock washer | .15 | 88 | Anti reverse lever | .25 |
| 55 | Base drag washer | .15 | 72 | Bail wire screw | .25 | 89 | Handle | 6.00 |
| 56 | Spindle | 1.50 | 73 | Anti reverse ratchet | .50 | | | |
| 57 | Rotor | 4.00 | 74 | Anti reverse ratchet spacer | .25 | | | |

Prices and specifications subject to change without notice.

Mar. 6 '81