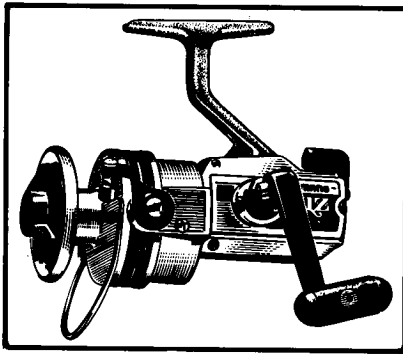
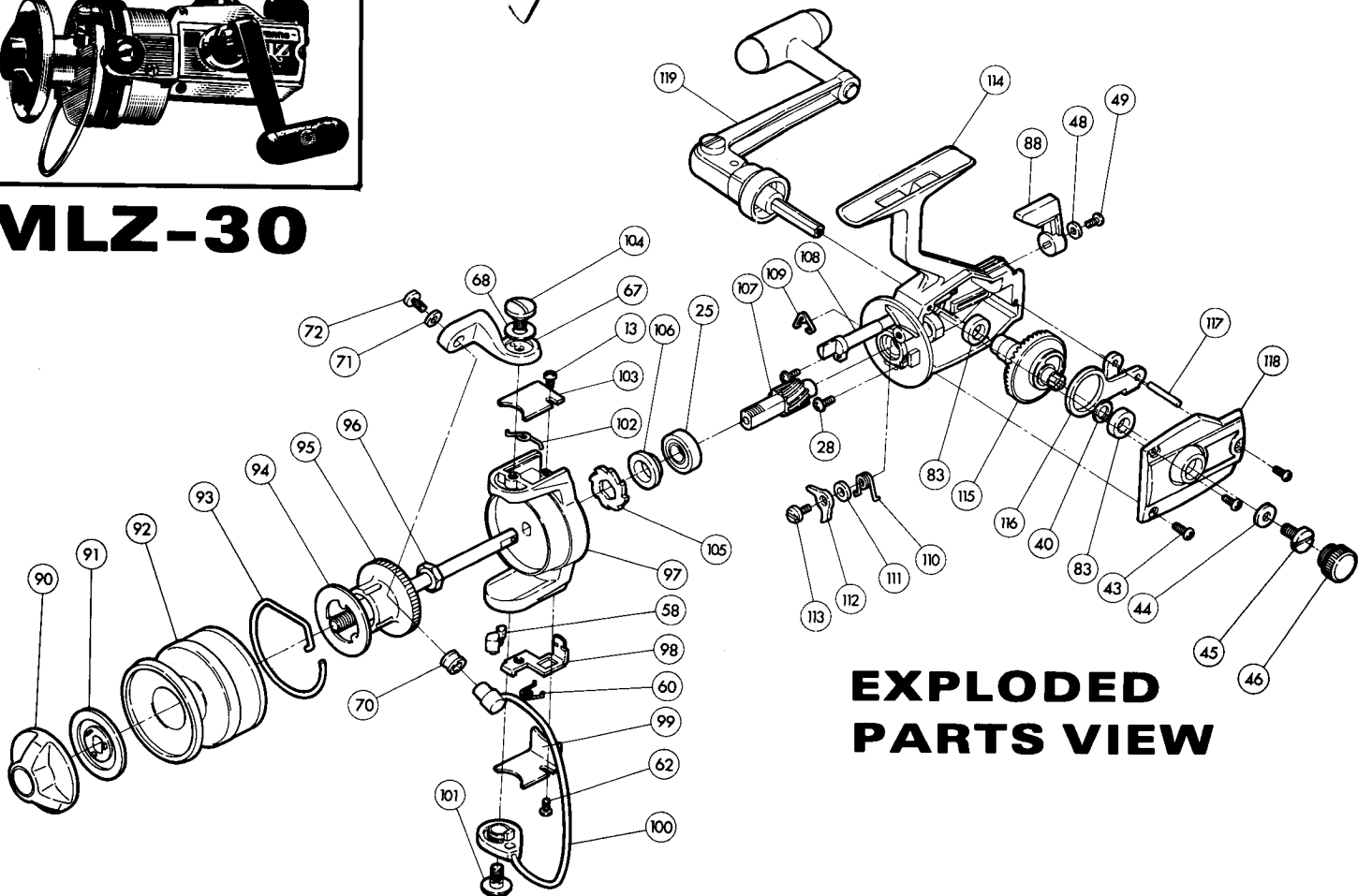


REPAIR MANUAL SHEET MLZ-30

Shimano American Corporation, 205 Jefferson Road
Parsippany, N.J. 07054



MLZ-30



EXPLODED PARTS VIEW

PARTS LIST

PART#	DESCRIPTION	PRICE	PART#	DESCRIPTION	PRICE	PART#	DESCRIPTION	PRICE
13	Cover screw	.15	72	Bail wire screw	.25	104	Bail mount screw	.50
25	Ball bearing	5.00	83	Drive gear bushing	.45	105	Anti reverse ratchet	.75
28	Bearing retainer screw	.15	88	Anti reverse lever	.25	106	Anti reverse ratchet spacer	.45
40	Drive gear spacer (optional)	.15	90	Drag adjusting knob	1.25	107	Pinion gear	2.00
43	Side plate screw	.15	91	Drag disk	.50	108	Anti reverse shaft	.50
44	Lock washer	.15	92	Spool shell	10.00	109	Anti reverse shaft spring	.15
45	Handle screw	.15	93	Click spring	.50	110	Anti reverse dog spring	.15
46	Dust cap	.25	94	Base drag disk	.15	111	Anti reverse dog spacer	.15
48	Anti reverse lever lock wash.	.15	95	Spindle	1.75	112	Anti reverse dog	.35
49	Anti reverse lever screw	.15	96	Rotor nut	.25	113	Anti reverse dog screw	.35
58	Trip plate cam	.25	97	Rotor	5.00	114	Housing	6.50
60	Trip plate spring	.25	98	Trip plate	.75	115	Drive gear	1.00
62	Cover screw	.25	99	Trip plate cover	.25	116	Oscillation guide	.35
67	Bail mount	1.50	100	Bail wire	2.00	117	Oscillation guide pin	.15
68	Bail mount washer	.15	101	Bail wire screw	.35	118	Side plate	3.00
70	Roller line guide	.50	102	Bail spring	.25	119	Handle	6.00
71	Lock washer	.15	103	Bail spring cover	.15			

Prices and specifications subject to change without notice.

Mar. 6 '81