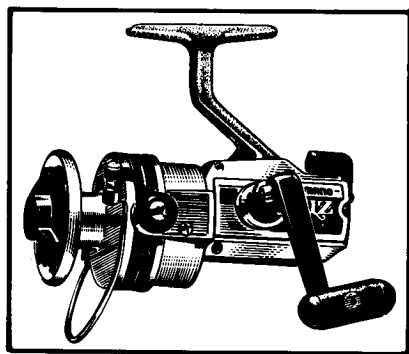
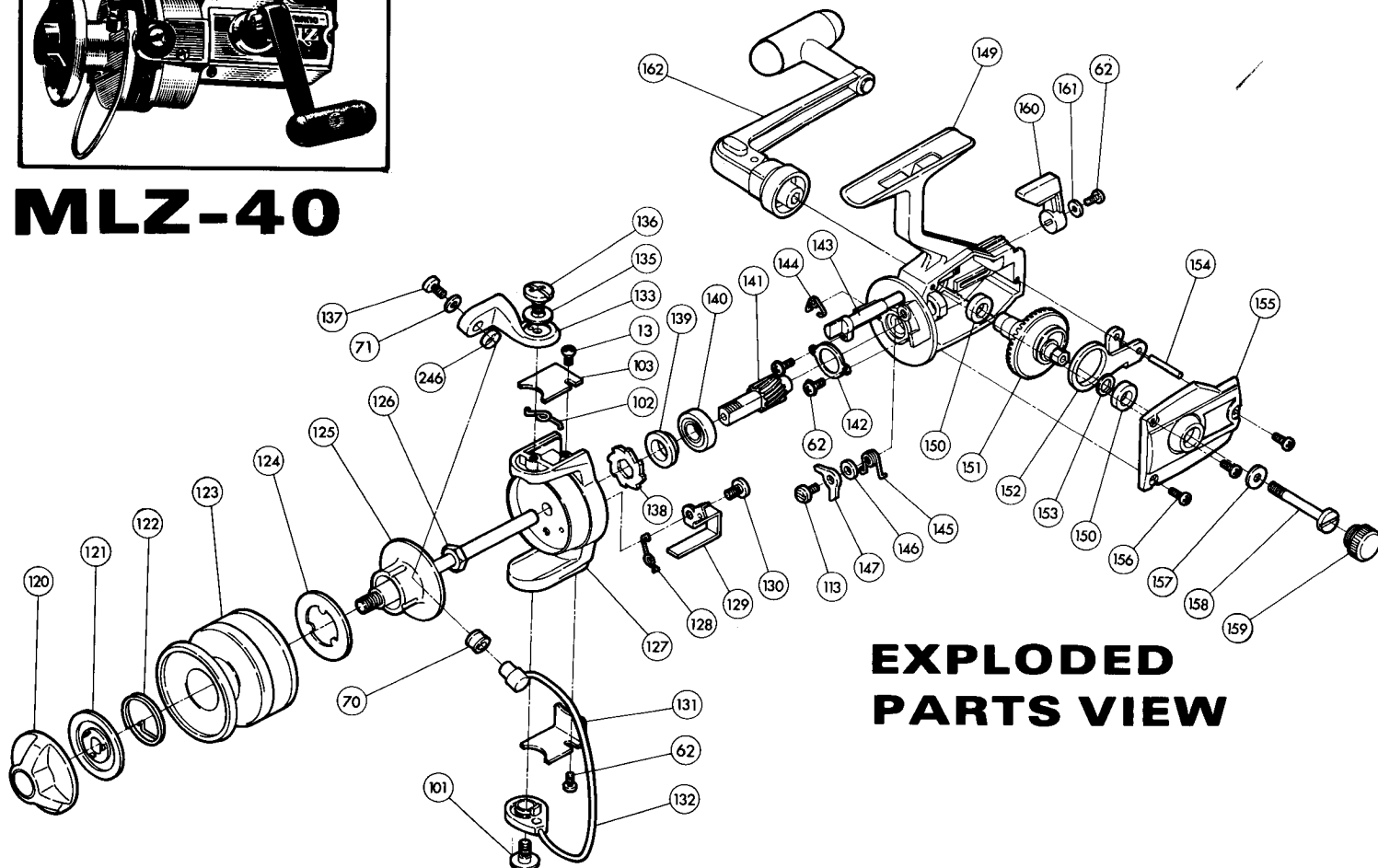


REPAIR MANUAL SHEET MLZ-40

Shimano American Corporation, 205 Jefferson Road
Parsippany, N.J. 07054



MLZ-40



EXPLODED PARTS VIEW

PARTS LIST

PART#	DESCRIPTION	PRICE	PART#	DESCRIPTION	PRICE	PART#	DESCRIPTION	PRICE
13	Cover screw	.15	129	Trip lever	.75	147	Anti reverse dog	.50
62	Cover screw	.25	130	Trip lever screw	.15	149	Housing	6.50
70	Roller line guide	.50	131	Trip lever cover	.25	150	Drive gear bushing	1.30
71	Lock washer	.15	132	Bail wire	2.00	151	Drive gear	1.50
101	Bail wire screw	.35	133	Bail mount	1.00	152	Oscillation guide	.50
102	Bail spring	.25	135	Bail mount washer (opt.)	.15	153	Drive gear spacer	.15
103	Bail spring cover	.15	136	Bail mount screw	.25	154	Oscillation guide pin	.15
113	Anti reverse dog screw	.35	137	Bail wire screw	.25	155	Side plate	2.50
120	Drag adjusting knob	2.00	138	Anti reverse ratchet	.75	156	Side plate screw	.15
121	Drag disk	.60	139	Anti reverse ratchet spacer	.35	157	Handle screw lock washer	.15
122	Click spring	.25	140	Ball bearing	5.25	158	Handle screw	1.50
123	Spool shell	10.00	141	Pinion gear	2.00	159	Dust cover	.45
124	Base drag disk	.15	142	Bearing retainer	.25	160	Anti reverse lever	.25
125	Spindle	1.80	143	Anti reverse shaft	1.00	161	Anti reverse lever lock wash.	.15
126	Rotor nut	.25	144	Anti reverse shaft spring	.25	162	Handle	6.25
127	Rotor	5.25	145	Anti reverse dog spring	.25	246	Line guide cover	.25
128	Trip lever spring	.15	146	Anti reverse dog spacer	.15			

Prices and specifications subject to change without notice.

Mar. 6 '81