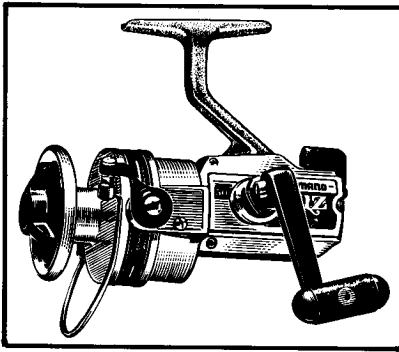
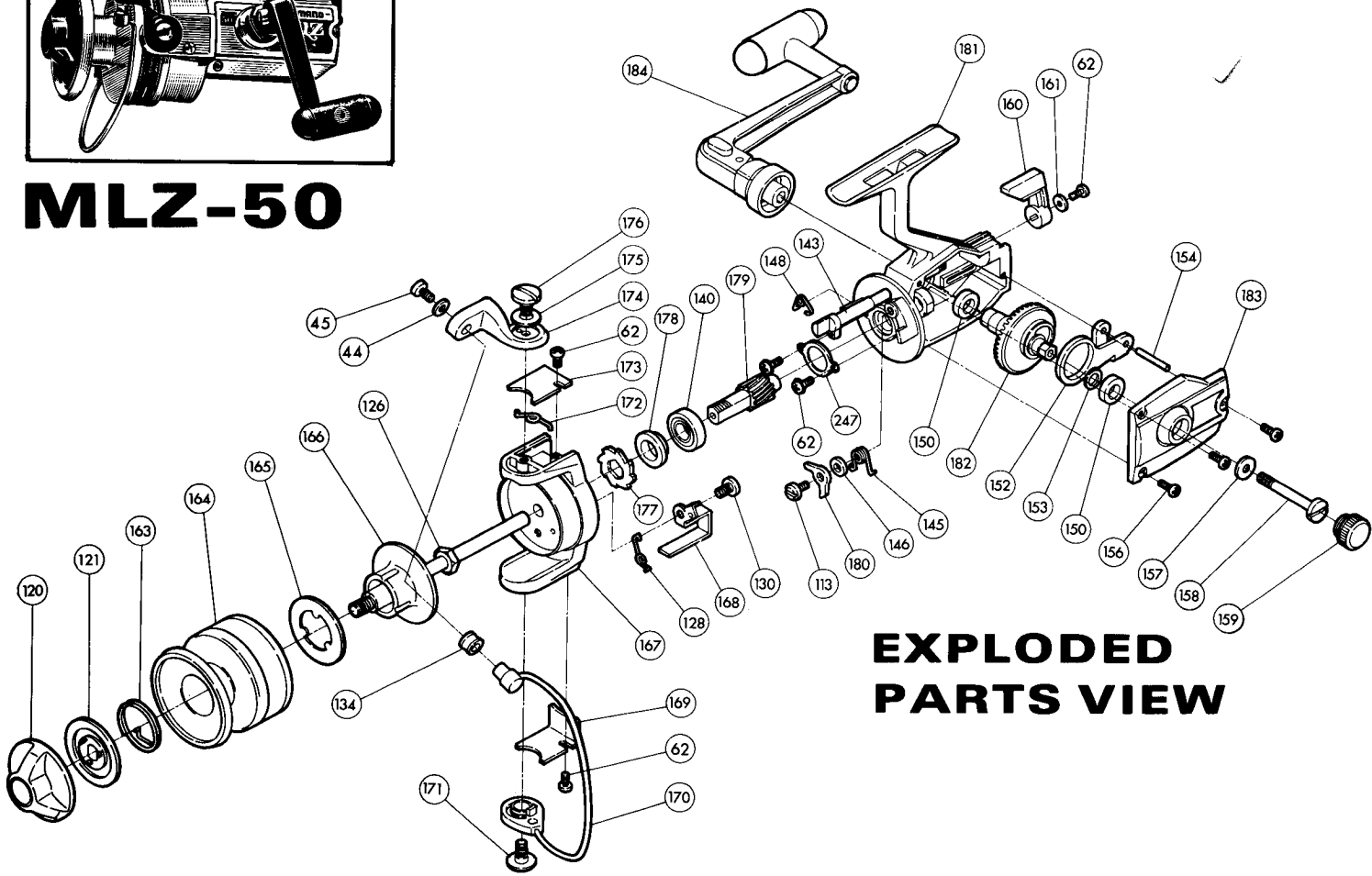


REPAIR MANUAL SHEET MLZ-50

Shimano American Corporation, 205 Jefferson Road
Parsippany, N.J. 07054



MLZ-50



EXPLODED PARTS VIEW

PARTS LIST

PART#	DESCRIPTION	PRICE	PART#	DESCRIPTION	PRICE	PART#	DESCRIPTION	PRICE
44	Lock washer	.15	153	Drive gear spacer	.15	172	Bail spring	.25
45	Line guide screw	.15	154	Oscillation guide pin	.15	173	Bail spring cover	.25
62	Cover screw	.25	156	Side plate screw	.15	174	Bail mount	1.50
113	Anti reverse dog screw	.35	157	Handle screw lock washer	.15	175	Bail screw washer	.15
120	Drag adjusting knob	2.00	158	Handle screw	1.50	176	Bail mount screw	.25
121	Drag disk	.60	159	Dust cover	.45	177	Anti reverse ratchet	.65
126	Rotor nut	.25	160	Anti reverse lever	.25	178	Anti reverse ratchet spacer	.35
128	Trip lever spring	.15	161	Anti reverse lever lock wash.	.15	179	Pinion gear	2.25
130	Trip lever screw	.15	163	Click spring	.35	180	Anti reverse dog	.75
134	Roller line guide	.60	164	Spool shell	11.00	181	Housing	6.50
140	Ball bearing	5.25	165	Base drag disk	.15	182	Drive gear	1.75
143	Anti reverse shaft	1.00	166	Spindle	2.00	183	Side plate	2.75
145	Anti reverse dog spring	.25	167	Rotor	5.75	184	Handle	5.50
146	Anti reverse dog spacer	.15	168	Trip lever	.75	247	Bearing retainer	.25
148	Anti reverse shaft spring	.15	169	Trip lever cover	.25			
150	Drive gear bushing	1.30	170	Bail wire	2.50			
152	Oscillation guide	.50	171	Bail wire screw	.45			

Prices and specifications subject to change without notice.

Mar. 6 '81