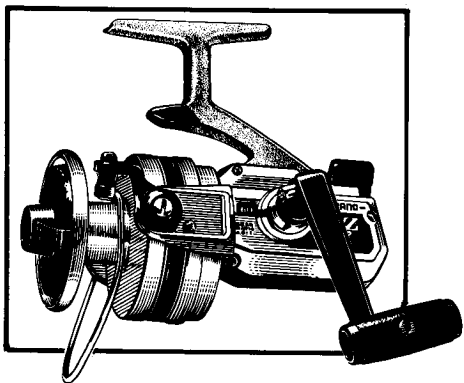
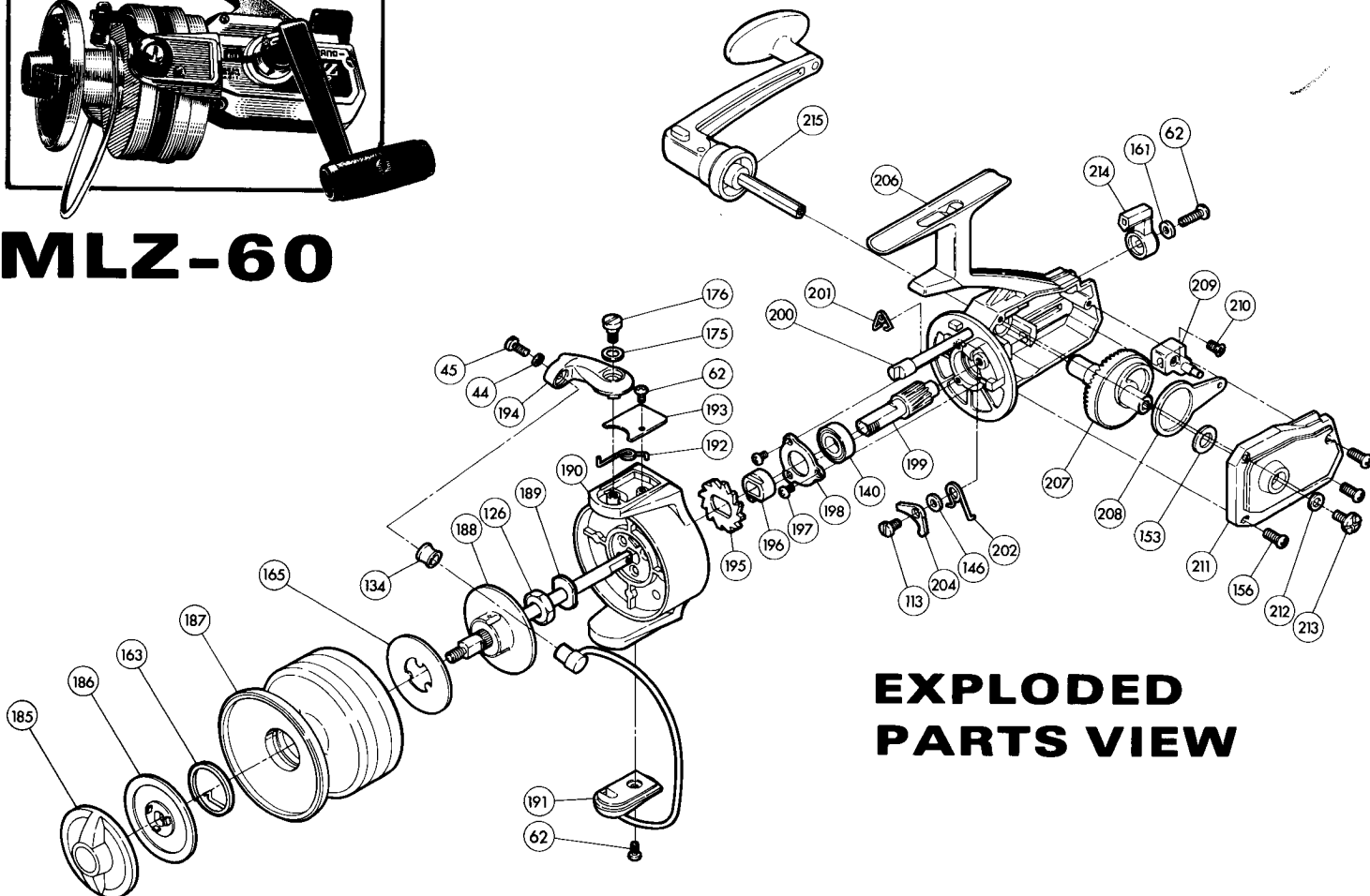


REPAIR MANUAL SHEET MLZ-60

Shimano American Corporation, 205 Jefferson Road
Parsippany, N.J. 07054



MLZ-60



EXPLODED PARTS VIEW

PARTS LIST

PART#	DESCRIPTION	PRICE	PART#	DESCRIPTION	PRICE	PART#	DESCRIPTION	PRICE
44	Lock washer	.15	187	Spool shell	12.00	206	Housing	8.50
45	Line guide screw	.15	188	Spindle	2.00	207	Drive gear	2.00
62	Cover screw	.25	189	Rotor lock plate	.25	208	Oscillation guide	.50
113	Anti reverse dog screw	.35	190	Rotor	6.25	209	Oscillation guide block	1.00
126	Rotor nut	.25	191	Bail wire	2.50	210	Oscillation guide blk. screw	.15
134	Roller line guide	.60	192	Bail spring	.25	211	Side plate	3.25
140	Ball bearing	5.25	193	Bail spring cover	.25	212	Handle screw lock washer	.15
146	Anti reverse dog spacer	.15	194	Bail mount	2.00	213	Handle screw	.45
153	Drive gear spacer	.15	195	Anti reverse ratchet	.75	214	Anti reverse lever	.25
156	Side plate screw	.15	196	Anti reverse ratchet spacer	.45	215	Handle	7.00
161	Anti reverse lever lock wash.	.15	197	Bearing retainer screw	.15			
163	Click spring	.35	198	Bearing retainer	.45			
165	Base drag disk	.15	199	Pinion gear	2.75			
175	Bail screw washer	.15	200	Anti reverse shaft	.75			
176	Bail mount screw	.25	201	Anti reverse shaft spring	.25			
185	Drag adjusting knob	2.50	202	Anti reverse dog spring	.25			
186	Drag disk	.75	204	Anti reverse dog	.75			

Prices and specifications subject to change without notice.

Mar. 6 '81