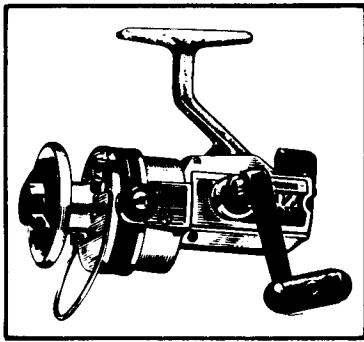
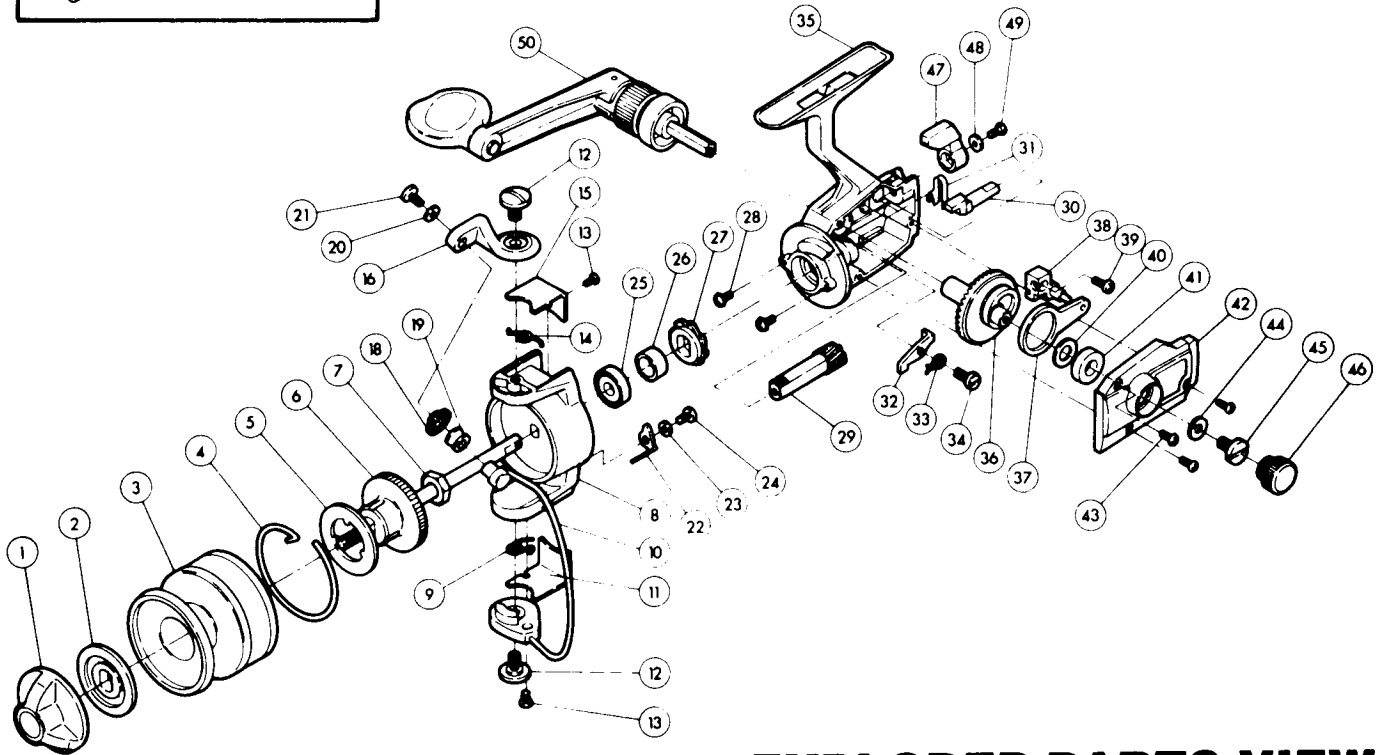


Shimano American Corporation, One Shimano Dr.
Irvine, CA 92718



TO ORDER:

This reel belongs to the "MLX, MLZ" series.
Please order parts using the abbreviation
"MLX" and the part number.



EXPLODED PARTS VIEW MLZ-10

PARTS LIST

PART# DESCRIPTION

- 1 Drag adjusting knob
- 2 Drag disk
- 3 Spool shell
- 4 Click spring
- 5 Base drag disk
- 6 Spindle
- 7 Rotor nut
- 8 Rotor
- 9 Trip lever spring
- 10 Bail wire
- 11 Trip lever cover
- 12 Bail wire screw
- 13 Cover screw
- 14 Bail spring
- 15 Bail spring cover
- 16 Bail mount
- 18 Line guide cover

PART# DESCRIPTION

- 19 Roller line guide
- 20 Line guide screw lock wash
- 21 Line guide screw
- 22 Trip lever
- 23 Spacer washer
- 24 Trip lever screw
- 25 Ball bearing
- 26 Ratchet spacer
- 27 Anti reverse ratchet
- 28 Bearing retainer screw
- 29 Pinion gear
- 30 Anti reverse shaft
- 31 Anti reverse shaft spring
- 32 Anti reverse dog
- 33 Anti reverse dog spring
- 34 Anti reverse dog screw

PART# DESCRIPTION

- 35 Housing
- 36 Drive gear
- 37 Oscillation guide
- 38 Oscillation block
- 39 Oscillation block screw
- 40 Drive gear spacer (optional)
- 41 Drive gear bushing
- 42 Side plate
- 43 Side plate screw
- 44 Lock washer
- 45 Handle screw
- 46 Dust cap
- 47 Anti reverse lever
- 48 Anti reverse lever lock wash
- 49 Anti reverse lever screw
- 50 Handle