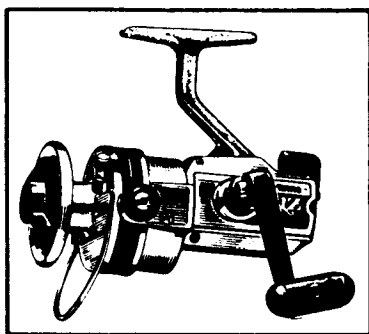
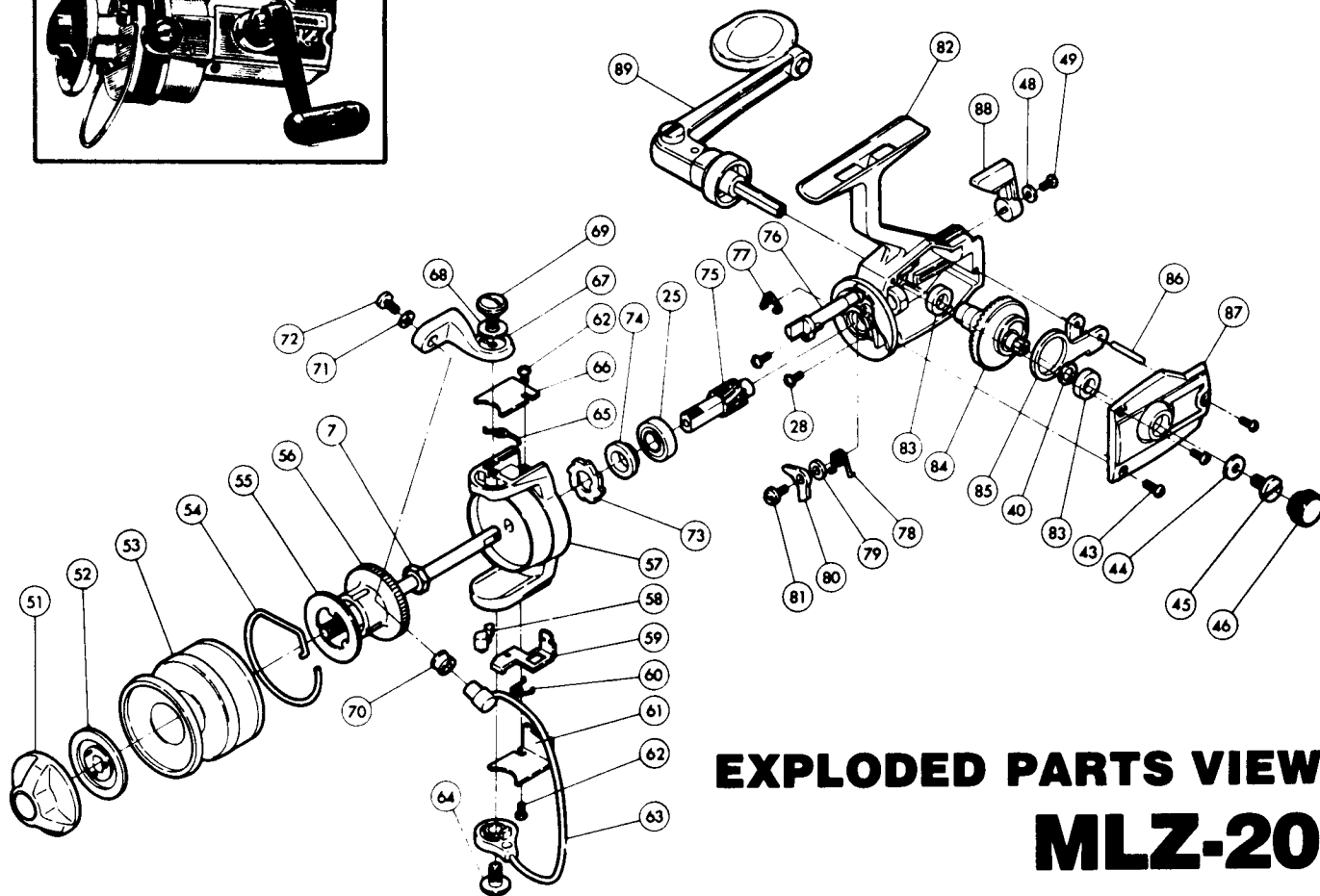


Shimano American Corporation, One Shimano Dr.
Irvine, CA 92718



TO ORDER:

This reel belongs to the "MLX, MLZ" series.
Please order parts using the abbreviation
"MLX" and the part number.



EXPLODED PARTS VIEW MLZ-20

PARTS LIST

PART# DESCRIPTION

- 7 Rotor nut
- 25 Ball bearing
- 28 Bearing retainer screw
- 40 Drive gear spacer (optional)
- 43 Side plate screw
- 44 Lock washer
- 45 Handle screw
- 46 Dust cap
- 48 Anti reverse lever lock wash
- 49 Anti reverse lever screw
- 51 Drag adjusting knob
- 52 Drag disk
- 53 Spool shell
- 54 Click spring
- 55 Base drag washer
- 56 Spindle
- 57 Rotor

PART# DESCRIPTION

- 58 Trip plate cam
- 59 Trip plate
- 60 Trip plate spring
- 61 Trip plate cover
- 62 Cover screw
- 63 Bail wire
- 64 Bail wire screw
- 65 Bail spring
- 66 Bail spring cover
- 67 Bail mount
- 68 Bail mount washer (opt.)
- 69 Bail mount screw
- 70 Roller line guide
- 71 Lock washer
- 72 Bail wire screw
- 73 Anti reverse ratchet

PART# DESCRIPTION

- 74 Anti reverse ratchet spacer
- 75 Pinion gear
- 76 Anti reverse shaft
- 77 Anti reverse shaft spring
- 78 Anti reverse dog spring
- 79 Anti reverse dog spacer
- 80 Anti reverse dog
- 81 Anti reverse dog screw
- 82 Housing
- 83 Drive gear bushing
- 84 Drive gear
- 85 Oscillation guide
- 86 Oscillation guide pin
- 87 Side plate
- 88 Anti reverse lever
- 89 Handle