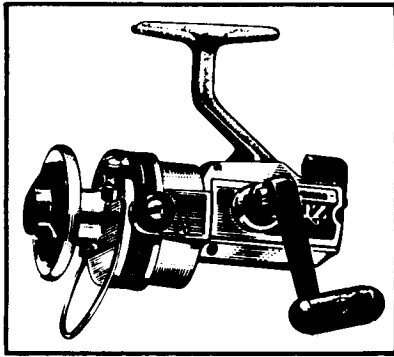


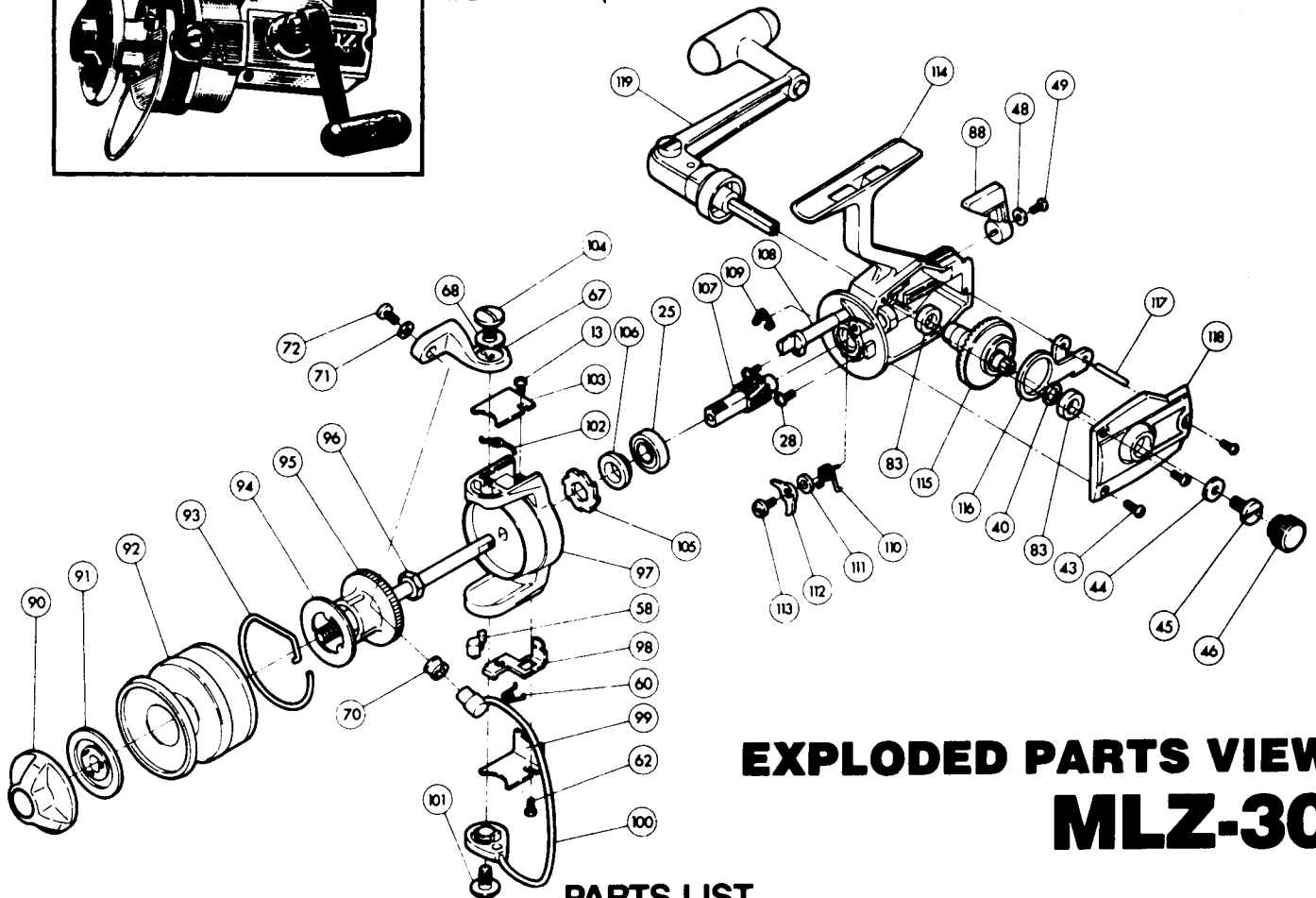
1987 REPAIR MANUAL SHEET MLZ-30

Shimano American Corporation, One Shimano Dr.
Irvine, CA 92718



TO ORDER:

This reel belongs to the "MLX, MLZ" series.
Please order parts using the abbreviation
"MLX" and the part number.



EXPLODED PARTS VIEW MLZ-30

PARTS LIST

PART # DESCRIPTION

- 13. Cover Screw
- 25. Ball Bearing
- 28. Bearing Retainer Screw
- 40. Drive Gear Spacer (optional)
- 43. Side Plate Screw
- 44. Lock Washer
- 45. Handle Screw
- 46. Dust Cap
- 48. Anti Reverse Lever Lock Wash.
- 49. Anti Reverse Lever Screw
- 58. Trip Plate Cam
- 60. Trip Plate Spring
- 62. Cover Screw
- 67. Ball Mount
- 68. Ball Mount Washer
- 70. Roller Line Guide

PART # DESCRIPTION

- 71. Lock Washer
- 72. Bail Wire Screw
- 83. Drive Gear Bushing
- 88. Anti Reverse Lever
- 90. Drag Adjusting Knob
- 91. Drag Disk
- 92. Spool Shell
- 93. Click Spring
- 94. Base Drag Disk
- 95. Spindle
- 96. Rotor Nut
- 97. Rotor
- 98. Trip Plate
- 99. Trip Plate Cover
- 100. Bail Wire
- 101. Bail Wire Screw
- 102. Bail Spring
- 103. Bail Spring Cover
- 104. Bail Mount Screw
- 105. Anti Reverse Ratchet

PART # DESCRIPTION

- 106. Anti Reverse Ratchet Spacer
- 107. Pinion Gear
- 108. Anti Reverse Shaft
- 109. Anti Reverse Shaft Spring
- 110. Anti Reverse Dog Spring
- 111. Anti Reverse Dog Spacer
- 112. Anti Reverse Dog
- 113. Anti Reverse Dog Screw
- 114. Housing
- 115. Drive Gear
- 116. Oscillation Guide
- 117. Oscillation Guide Pin
- 118. Side Plate
- 119. Handle