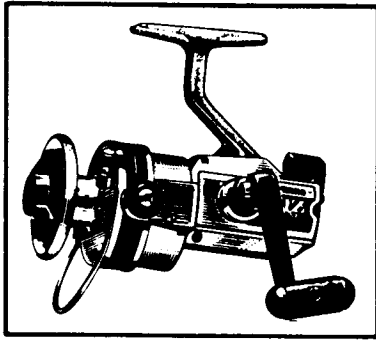
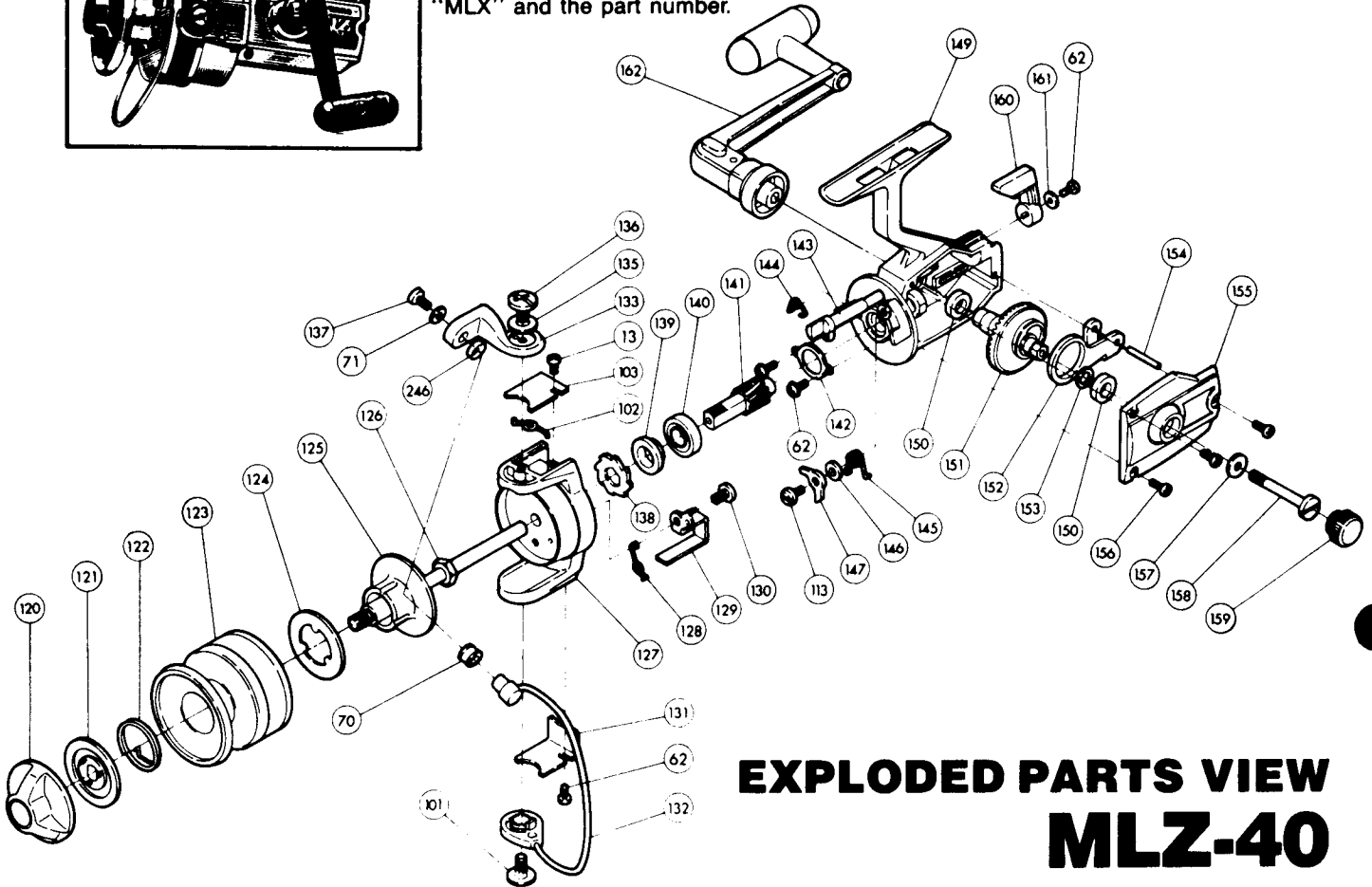


Shimano American Corporation, One Shimano Dr.
Irvine, CA 92718



TO ORDER:

This reel belongs to the "MLX, MLZ" series.
Please order parts using the abbreviation
"MLX" and the part number.



EXPLODED PARTS VIEW MLZ-40

PARTS LIST

PART# DESCRIPTION

13 Cover screw
62 Cover screw
70 Roller line guide
71 Lock washer
101 Bail wire screw
102 Bail spring
103 Bail spring cover
113 Anti reverse dog screw
120 Drag adjusting knob
121 Drag disk
122 Click spring
123 Spool shell
124 Base drag disk
125 Spindle
126 Rotor nut
127 Rotor
128 Trip lever spring

PART# DESCRIPTION

129 Trip lever
130 Trip lever screw
131 Trip lever cover
132 Bail wire
133 Bail mount
135 Bail mount washer (opt.)
136 Bail mount screw
137 Bail wire screw
138 Anti reverse ratchet
139 Anti reverse ratchet spacer
140 Ball bearing
141 Pinion gear
142 Bearing retainer
143 Anti reverse shaft
144 Anti reverse shaft spring
145 Anti reverse dog spring
146 Anti reverse dog spacer

PART# DESCRIPTION

147 Anti reverse dog
149 Housing
150 Drive gear bushing
151 Drive gear
152 Oscillation guide
153 Drive gear spacer
154 Oscillation guide pin
155 Side plate
156 Side plate screw
157 Handle screw lock washer
158 Handle screw
159 Dust cover
160 Anti reverse lever
161 Anti reverse lever lock wash
162 Handle
246 Line guide cover