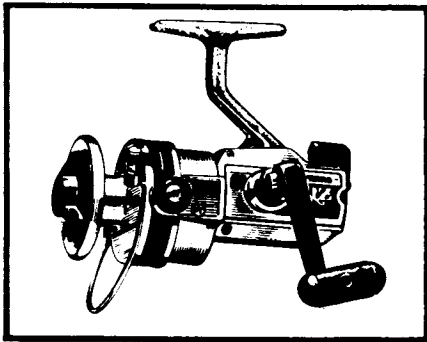


# SHIMANO®

## 1987 REPAIR MANUAL SHEET MLZ-50

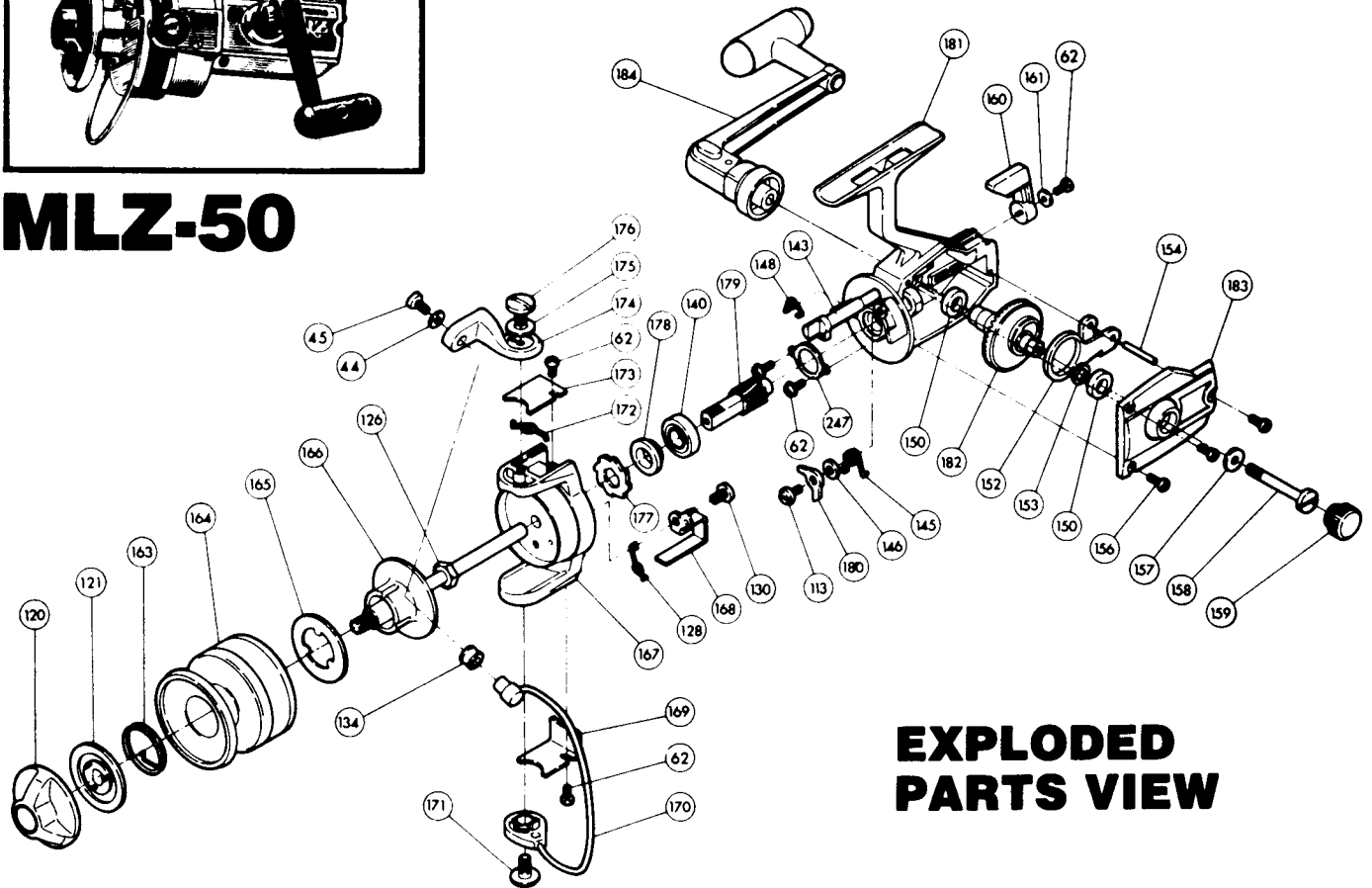
Shimano American Corporation, One Shimano Dr.  
Irvine, CA 92718



### MLZ-50

#### TO ORDER:

This reel belongs to the "MLX, MLZ" series.  
Please order parts using the abbreviation  
"MLX" and the part number.



### EXPLODED PARTS VIEW

### PARTS LIST

#### PART# DESCRIPTION

44 Lock washer  
45 Line guide screw  
62 Cover screw  
113 Anti reverse dog screw  
120 Drag adjusting knob  
121 Drag disk  
126 Rotor nut  
128 Trip lever spring  
130 Trip lever screw  
134 Roller line guide  
140 Ball bearing  
143 Anti reverse shaft  
145 Anti reverse dog spring  
146 Anti reverse dog spacer  
148 Anti reverse shaft spring  
150 Drive gear bushing

#### PART# DESCRIPTION

152 Oscillation guide  
153 Drive gear spacer  
154 Oscillation guide pin  
156 Side plate screw  
157 Handle screw lock washer  
158 Handle screw  
159 Dust cover  
160 Anti reverse lever  
161 Anti reverse lever lock wash  
163 Click spring  
164 Spool shell  
165 Base drag disk  
166 Spindle  
167 Rotor  
168 Trip lever  
169 Trip lever cover

#### PART# DESCRIPTION

170 Bail wire  
171 Bail wire screw  
172 Bail spring  
173 Bail spring cover  
174 Bail mount  
175 Bail screw washer  
176 Bail mount screw  
177 Anti reverse ratchet  
178 Anti reverse ratchet spacer  
179 Pinion gear  
180 Anti reverse dog  
181 Housing  
182 Drive gear  
183 Side plate  
184 Handle  
247 Bearing retainer