

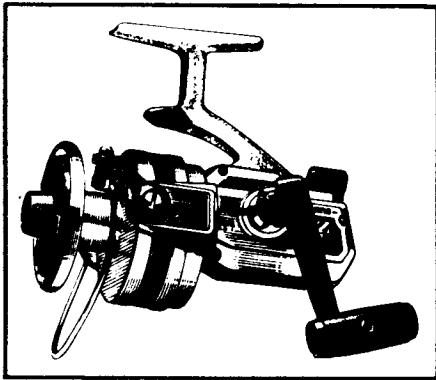
SHIMANO®

1987 REPAIR MANUAL SHEET MLZ-60

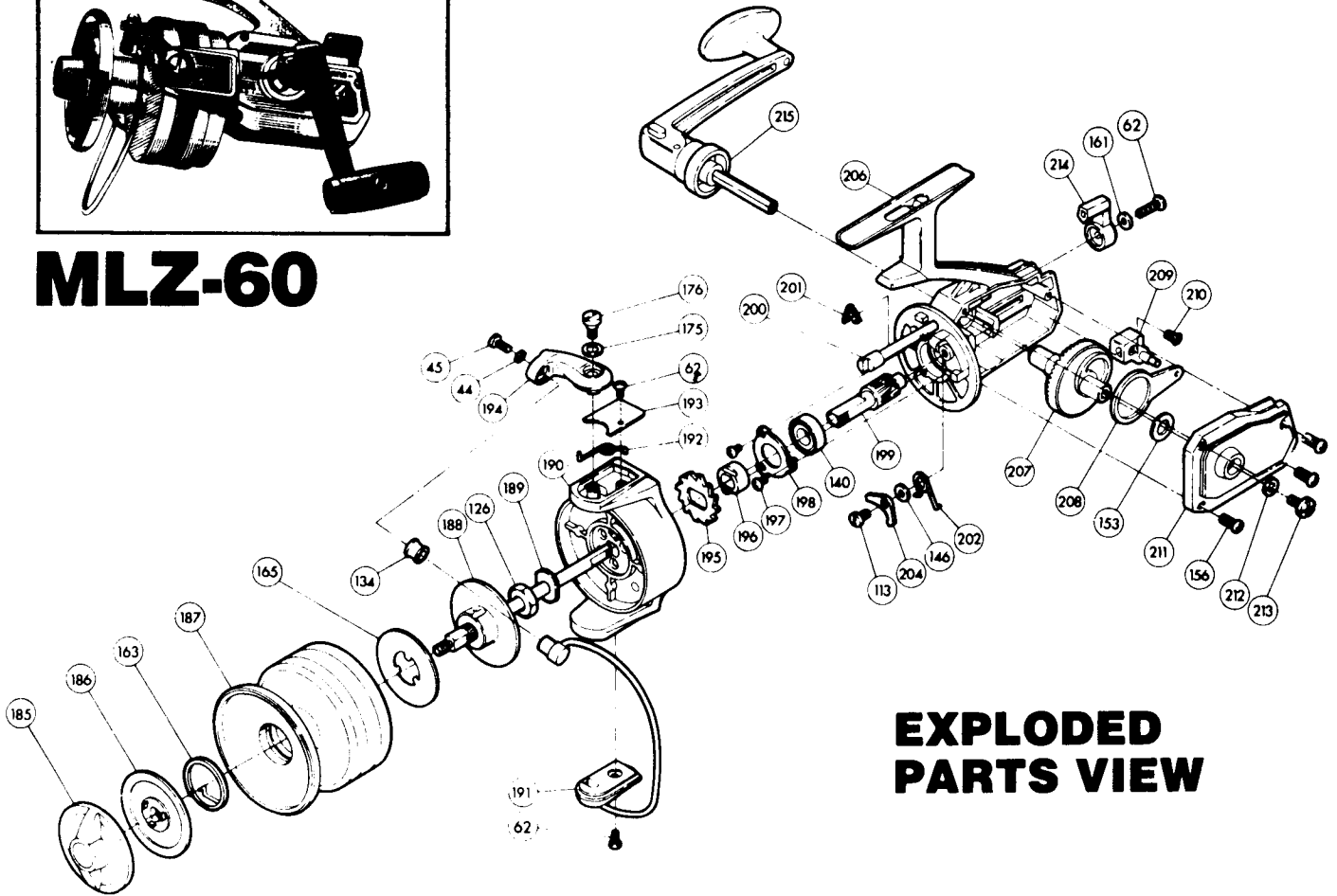
Shimano American Corporation, One Shimano Dr.
Irvine, CA 92718

TO ORDER:

This reel belongs to the "MLX, MLZ" series.
Please order parts using the abbreviation
"MLZ" and the part number.



MLZ-60



EXPLODED PARTS VIEW

PARTS LIST

PART# DESCRIPTION

44 Lock washer
45 Line guide screw
62 Cover screw
113 Anti reverse dog screw
126 Rotor nut
134 Roller line guide
140 Ball bearing
146 Anti reverse dog spacer
153 Drive gear spacer
156 Side plate screw
161 Anti reverse lever lock wash
163 Click spring
165 Base drag disk
175 Bail screw washer
176 Bail mount screw

PART# DESCRIPTION

185 Drag adjusting knob
186 Drag disk
187 Spool shell
188 Spindle
189 Rotor lock plate
190 Rotor
191 Bail wire
192 Bail spring
193 Bail spring cover
194 Bail mount
195 Anti reverse ratchet
196 Anti reverse ratchet spacer
197 Bearing retainer screw
198 Bearing retainer
199 Pinion gear

PART# DESCRIPTION

200 Anti reverse shaft
201 Anti reverse shaft spring
202 Anti reverse dog spring
204 Anti reverse dog
206 Housing
207 Drive gear
208 Oscillation guide
209 Oscillation guide block
210 Oscillation guide blk. screw
211 Side plate
212 Handle screw lock washer
213 Handle screw
214 Anti reverse lever
215 Handle