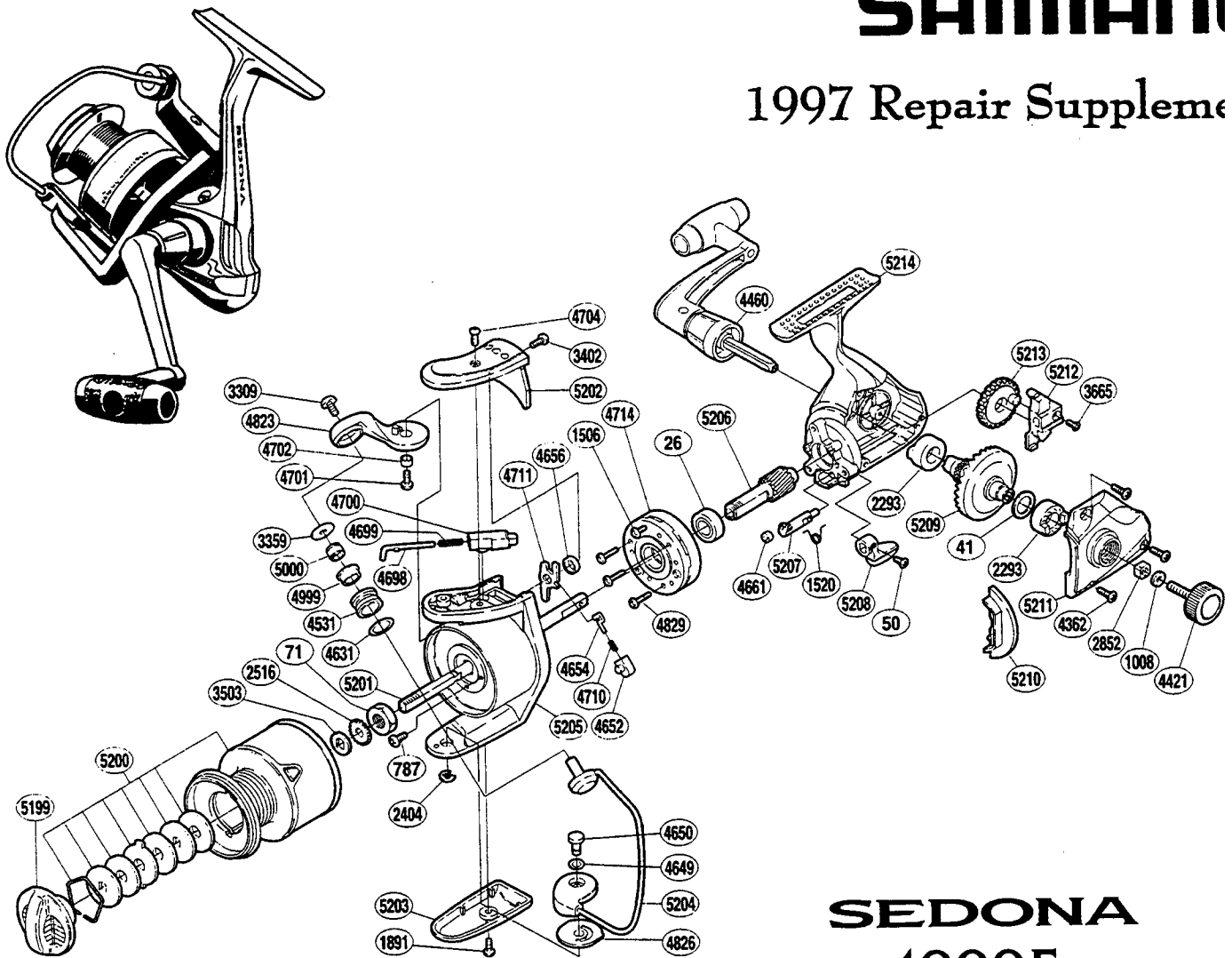


SHIMANO

1997 Repair Supplement



SEDONA 4000F 97

SE4000F

Part #	Description	Part #	Description	Part #	Description
RD 0026	Ball Bearing	RD 4460	Handle Assembly	RD 4829	Roller Clutch Screw
RD 0041	Drive Gear Washer	RD 4531	Line Roller	RD 4999	Line Roller Bushing
RD 0050	Anti-Reverse Lever Screw	RD 4631	Spacer	RD 5000	Line Roller Collar
RD 0071	Rotor Nut	RD 4649	Spacer	RD 5199	Drag Knob
RD 0787	Multi-Purpose Screw	RD 4650	Bail Hold Support Shaft	RD 5200	Spool Assembly
RD 1008	Handle Lock Washer	RD 4652	Lever Spring Guide (B)	RD 5201	Main Shaft
RD 1506	Clutch Cover Screw	RD 4654	Lever Spring Guide (A)	RD 5202	Bail Spring Cover
RD 1520	Anti-Reverse Cam Spring	RD 4656	Trip Lever Spacer	RD 5203	Bail Hold Support Guard
RD 1891	Bail Hold Support Gaurd Screw	RD 4661	Anti-Reverse Cam Ring	RD 5204	Bail Assembly
RD 2293	Drive Gear Bushing	RD 4698	Bail Spring Guide (A)	RD 5205	Rotor
RD 2404	E Lock	RD 4699	Bail Spring	RD 5206	Pinion Gear
RD 2516	Spool Support	RD 4700	Bail Spring Guide (B)	RD 5207	Anti-Reverse Cam
RD 2852	Handle Screw Lock	RD 4701	Bail Arm Screw	RD 5208	Anti-Reverse Lever
RD 3309	Line Roller Screw	RD 4702	Bail Arm Bushing	RD 5209	Drive Gear
RD 3359	Line Roller Washer	RD 4704	Bail Spring Cover Screw Lg.	RD 5210	Side Cover Flange
RD 3402	Bail Spring Cover Screw (SM)	RD 4710	Lever Spring	RD 5211	Side Cover
RD 3503	Spool Washer	RD 4711	Bail Trip Lever	RD 5212	Oscillating Slider
RD 3665	Slider Retainer Screw	RD 4714	Roller Clutch Assembly	RD 5213	Oscillating Gear
RD 4362	Side Cover Screw	RD 4823	Bail Arm	RD 5214	Body
RD 4421	Handle Screw Cap	RD 4826	Bail Hold Support Spacer		