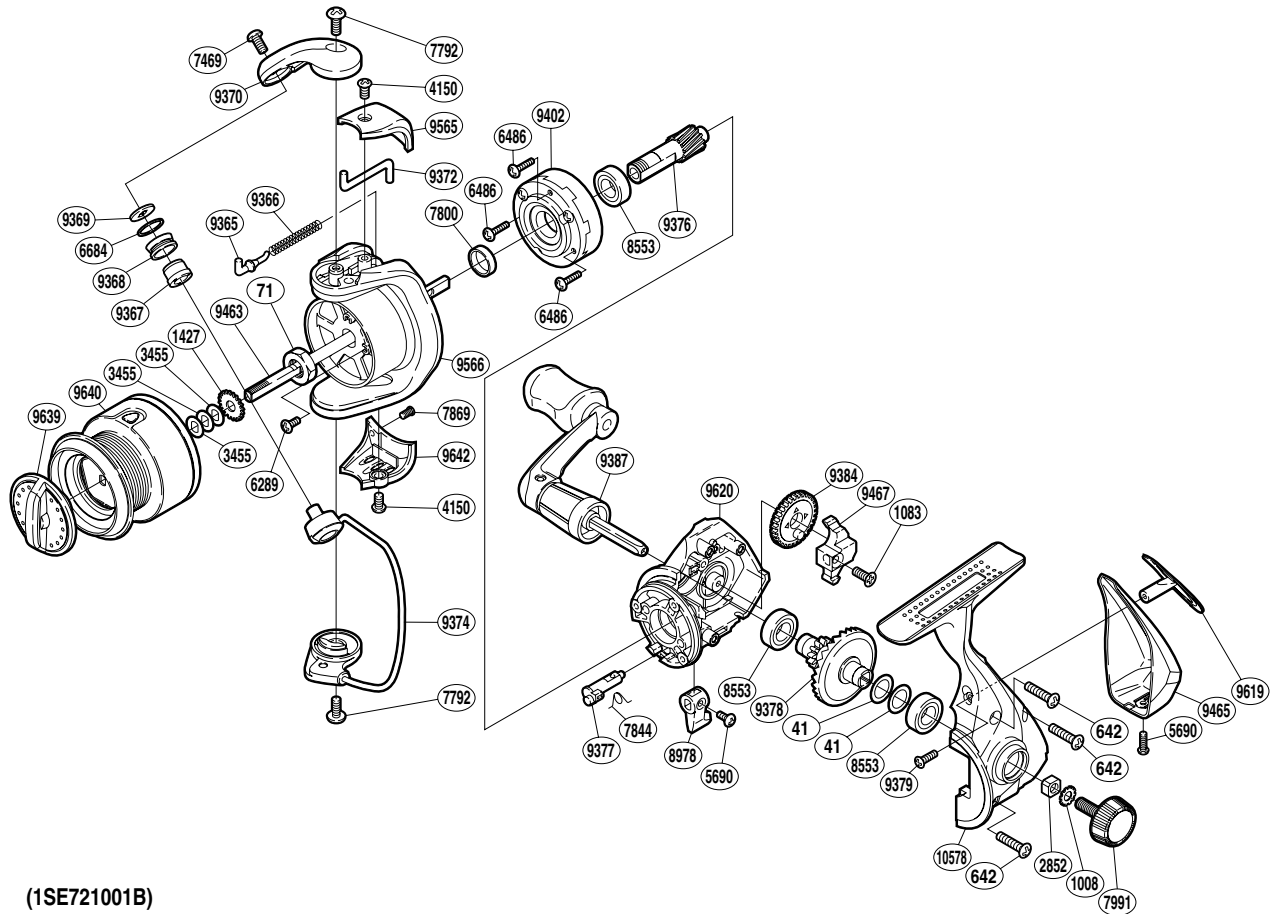


SHIMANO®

SIENNA

SN-1000FB



(1SE721001B)

| Part No. | Description | Part No. | Description | Part No. | Description |
|----------|--------------------|----------|-------------------------|----------|-------------------------|
| RD 0041 | Washer | RD 7844 | Anti-Reverse Cam Spring | RD 9379 | Screw |
| RD 0071 | Rotor Nut | RD 7869 | Screw | RD 9384 | Oscillating Gear |
| RD 0642 | Screw | RD 7991 | Handle Screw Cap | RD 9387 | Handle Assembly |
| RD 1008 | Handle Lock Washer | RD 8553 | Ball Bearing | RD 9402 | Roller Clutch Assembly |
| RD 1083 | Screw | RD 8978 | Anti-Reverse Lever | RD 9463 | Main Shaft |
| RD 1427 | Spool Support | RD 9365 | Bail Spring Guide | RD 9465 | Rear Protector B |
| RD 2852 | Handle Screw Lock | RD 9366 | Bail Spring | RD 9467 | Oscillating Slider |
| RD 3455 | Spool Washer | RD 9367 | Line Roller Bushing | RD 9565 | Bail Spring Cover |
| RD 4150 | Screw | RD 9368 | Line Roller | RD 9566 | Rotor |
| RD 5690 | Screw | RD 9369 | Line Roller Washer | RD 9619 | Rear Protector A |
| RD 6289 | Screw | RD 9370 | Bail Arm | RD 9620 | Body |
| RD 6486 | Screw | RD 9372 | Bail Trip Lever | RD 9639 | Drag Knob |
| RD 6684 | Line Roller Spacer | RD 9374 | Bail Assembly | RD 9640 | Spool Assembly |
| RD 7469 | Screw | RD 9376 | Pinion Gear | RD 9642 | Bail Hold Support Guard |
| RD 7792 | Screw | RD 9377 | Anti-Reverse Cam | RD10578 | Side Cover |
| RD 7800 | Rotor Ring | RD 9378 | Drive Gear | | |

(170603)