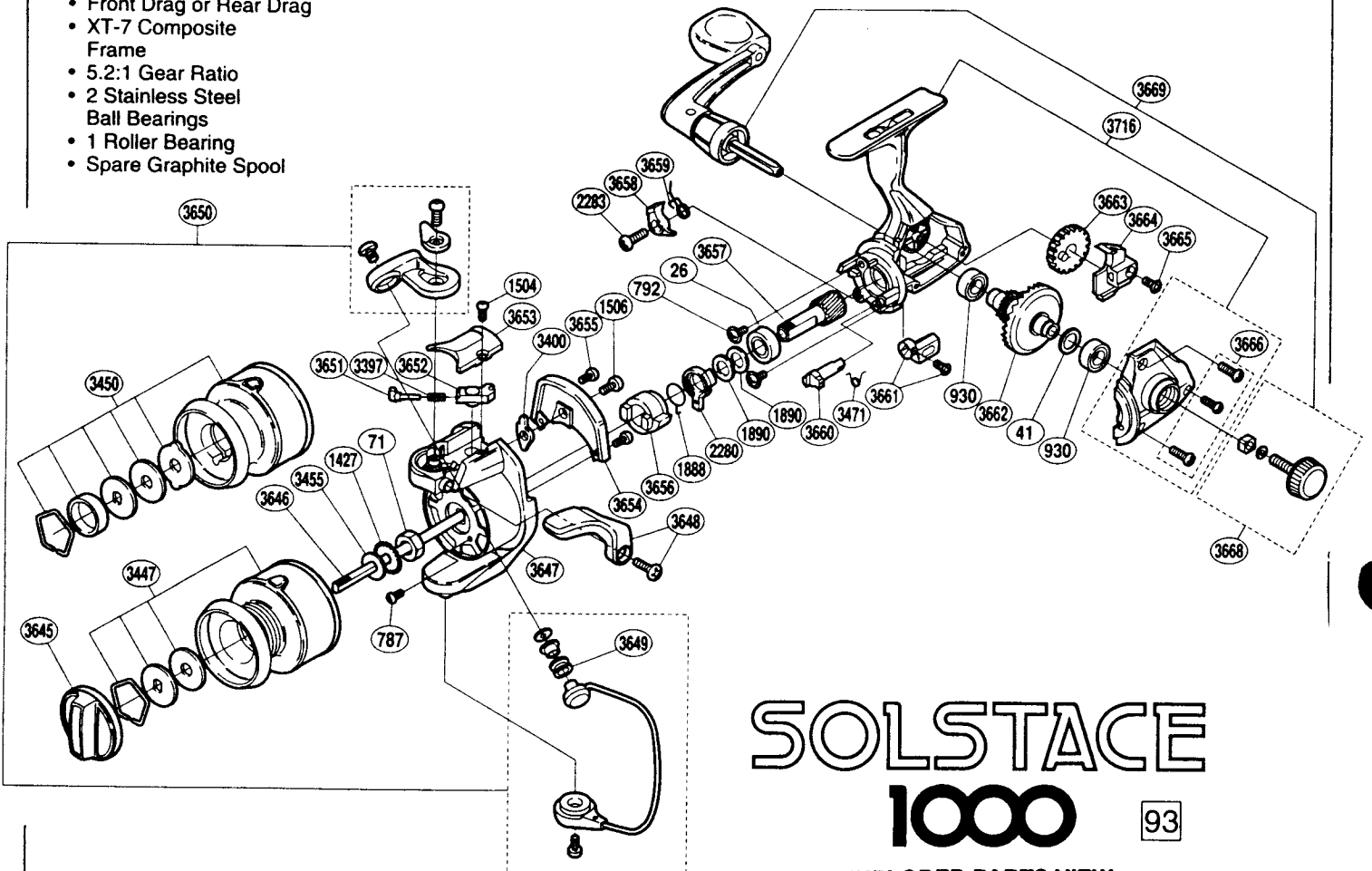


AERO® SOLSTACE™
Spinning Reels

Stylish and Versatile

- **Dyna-Balance**
- Aluminum Aero® Long Spool Design
- Front Drag or Rear Drag
- XT-7 Composite Frame
- 5.2:1 Gear Ratio
- 2 Stainless Steel Ball Bearings
- 1 Roller Bearing
- Spare Graphite Spool



SOLSTACE

1000

93

EXPLODED PARTS VIEW

MODEL NO.	LINE / CAPACITY	GEAR RATIO	WT. (OZ.)	BEARINGS
SO-1000FA	2/270,4/140,6/110	5.2:1	8.7	3

The versatile Solstace™ does everything well. First, and foremost, it's great for sensing fish. The smoothness created by DynaBalance™ and a 3 stainless steel ball bearing drive train lets one feel faint nibbles, that until now went undetected. Second, Solstace™ goes the distance. A drive train with solid gearing and three stainless steel ball bearings at the most critical stress points ensures several years of faithful service. Third, the versatile 5.2:1 gear ratio provides a good balance between high speed land power. The customer wanting a reliable, quality reel will be pleased with the Solstace™.

