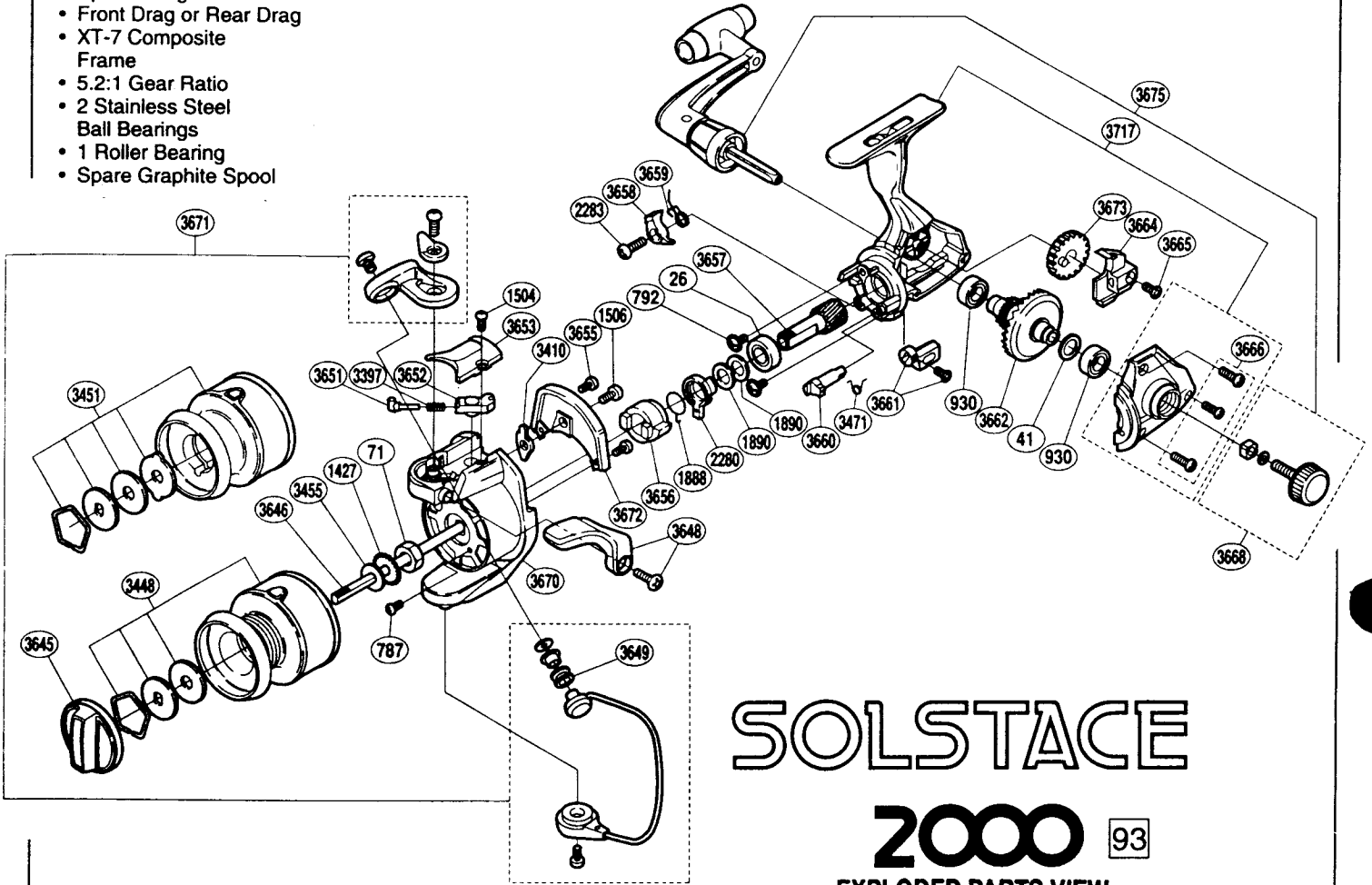


AERO® SOLSTACE™
Spinning Reels

Stylish and Versatile

- Dyna-Balance
- Aluminum Aero® Long Spool Design
- Front Drag or Rear Drag
- XT-7 Composite Frame
- 5.2:1 Gear Ratio
- 2 Stainless Steel Ball Bearings
- 1 Roller Bearing
- Spare Graphite Spool

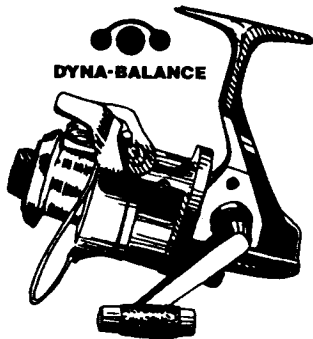


SOLSTACE

2000 93

EXPLODED PARTS VIEW

MODEL NO.	LINE / CAPACITY	GEAR RATIO	WT. (OZ.)	BEARINGS
SO-2000FA	6/170,8/120,10/100	5.2:1	9.1	3



The versatile Solstice™ does everything well. First, and foremost, it's great for sensing fish. The smoothness created by DynaBalance™ and a 3 stainless steel ball bearing drive train lets one feel faint nibbles, that until now went undetected. Second, Solstice™ goes the distance. A drive train with solid gearing and three stainless steel ball bearings at the most critical stress points ensures several years of faithful service. Third, the versatile 5.2:1 gear ratio provides a good balance between high speed land power. The customer wanting a reliable, quality reel will be pleased with the Solstice™.