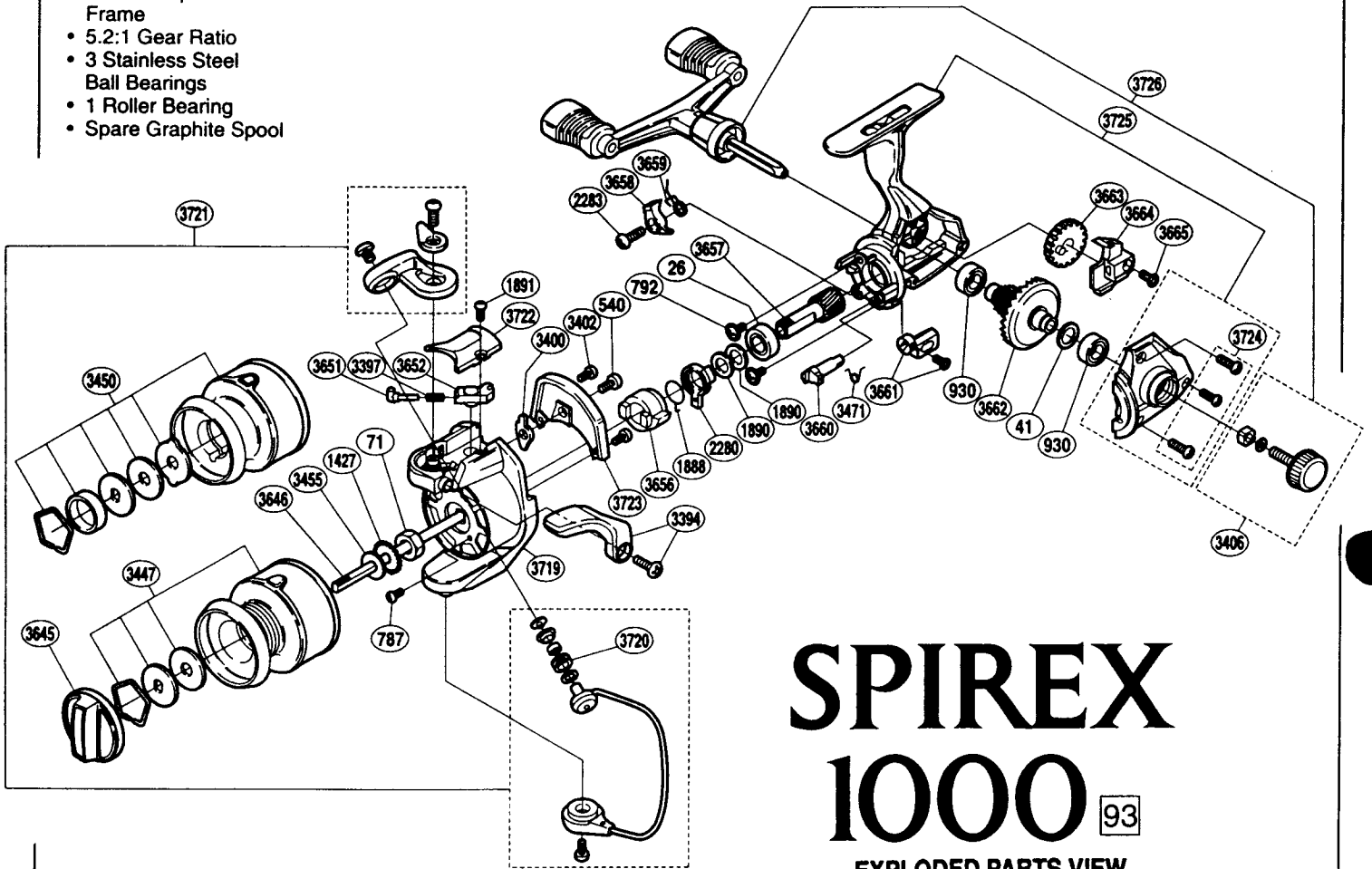


AERO® SPIREX™
Spinning Reels

Double Trouble

- **Dyna-Balance**
- Aluminum Aero® Long Spool Design
- Front Drag or Rear Drag
- XT-7 Composite Frame
- 5.2:1 Gear Ratio
- 3 Stainless Steel Ball Bearings
- 1 Roller Bearing
- Spare Graphite Spool



SPIREX 1000 93

EXPLODED PARTS VIEW

MODEL NO.	LINE / CAPACITY	GEAR RATIO	WT. (OZ.)	BEARINGS
SR-1000F	2/270,4/140,6/110	5.2:1	9.1	4

You'll definitely do a double-take when you see Spirex™. It might seem a little strange seeing a double paddle handle on a spinning reel, but just wait until you give it a spin. The double paddle handle enhances the effect of ultra-smooth DynaBalance™ to an even further extreme. We double-dog dare you to find anything smoother.

Spirex™ is loaded with all kinds of great attributes. It has a choice of front or rear drags, 4 ball bearings, an oversized line guide roller, and a spare graphite spool. Spools are long cast design and tapered for improved casting over standard spools. On top of all this, Spirex™ is moderately priced.

