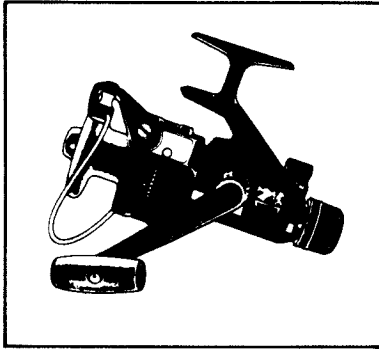


SHIMANO®

1987 REPAIR MANUAL

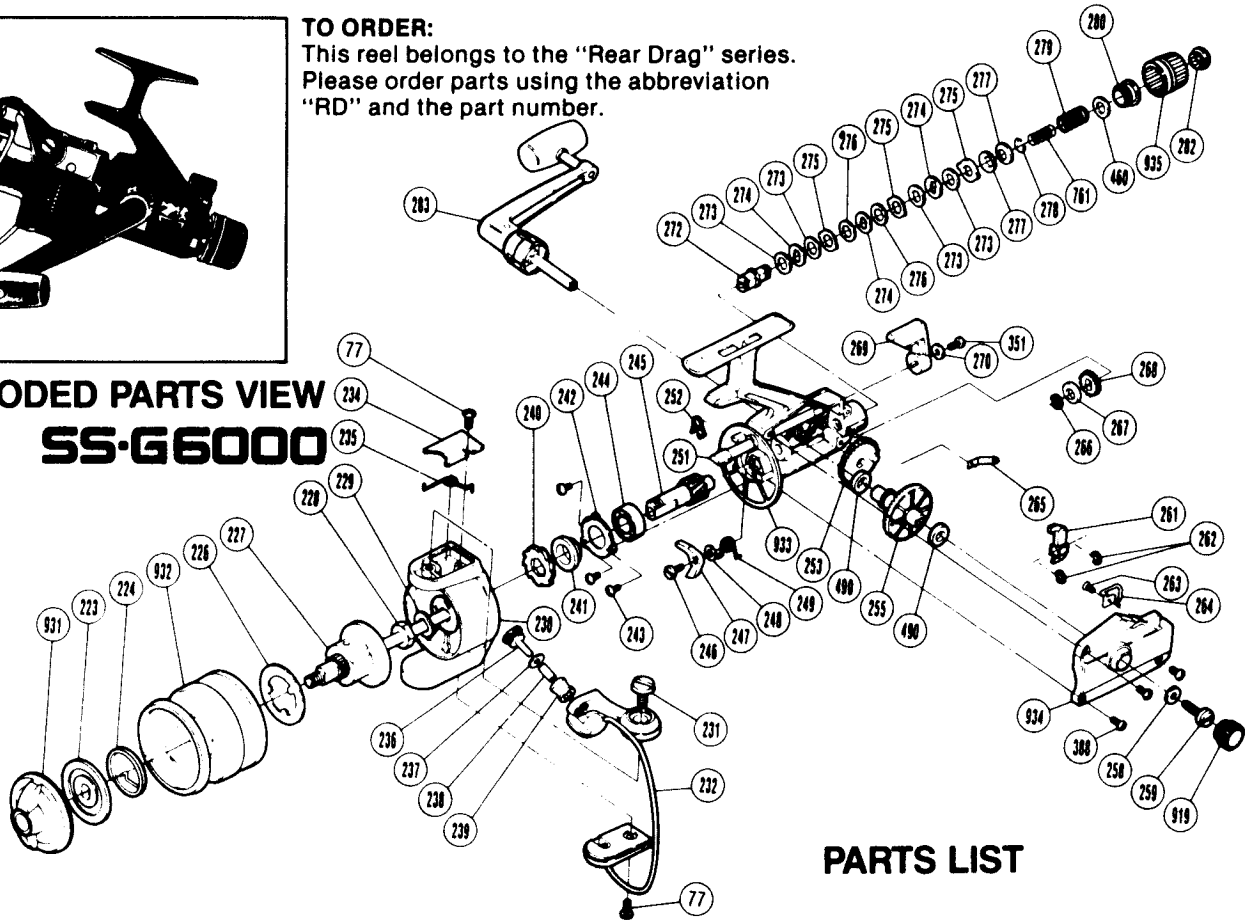
Shimano American Corporation, One Shimano Dr.
Irvine, CA 92718



TO ORDER:

This reel belongs to the "Rear Drag" series.
Please order parts using the abbreviation
"RD" and the part number.

EXPLODED PARTS VIEW SS-G6000



PARTS LIST

PART # DESCRIPTION

77. Multi Purpose Screw
223. Spool Drag Disc
224. Click Spring
226. Spool Washer
227. Main Shaft Assembly
228. Rotor Nut
229. Rotor Nut Lock Plate
230. Rotor
231. Bail Arm Screw
232. Bail Assembly
234. Bail Spring Cover
235. Bail Spring
236. Line Roller Screw
Assembly
237. Line Roller Washer
238. Line Roller Bushing
239. Line Roller
240. Anti-Reverse Ratchet
241. Pinion Spacer
242. Bearing Retainer
243. Bearing Retainer Screw
244. Ball Bearing
245. Pinion Gear

PART # DESCRIPTION

246. Anti-Reverse Pawl Screw
247. Anti-Reverse Pawl
248. Anti-Reverse Pawl Spacer
249. Anti-Reverse Pawl Spring
251. Anti-Reverse Cam
252. Anti-Reverse Cam Spring
253. Oscillating Gear
Assembly
255. Drive Gear
258. Handle Lock Washer
259. Handle Lock Screw
261. Oscillating Slider
262. "C" Lock
263. Drag Click Screw
264. Drag Click
265. Drag Knob Click Spring
266. Click Gear "C" Lock
267. Click Gear Spacer
268. Click Gear
269. Anti-Reverse Lever
270. Lock Washer
272. Drag Shaft

PART # DESCRIPTION

273. Drag Washer "C₂"
274. Key Washer "A"
275. Eared Washer "B"
276. Drag Washer "C₁"
277. Coned Disc Spring
278. Washers Hold Ring
279. Drag Coil Spring
280. Pressure Screw
282. Drag Knob Screw
283. Handle Assembly
351. Anti-Reverse Lever Screw
388. Side Cover Screw
460. Drag Spring Washer "A"
490. Bushing
761. Drag Hold Spring
919. Handle Screw Cap
931. Spool Drag Knob
Assembly
932. Spool Assembly
933. Body
934. Side Cover
935. Drag Knob (Stern)