

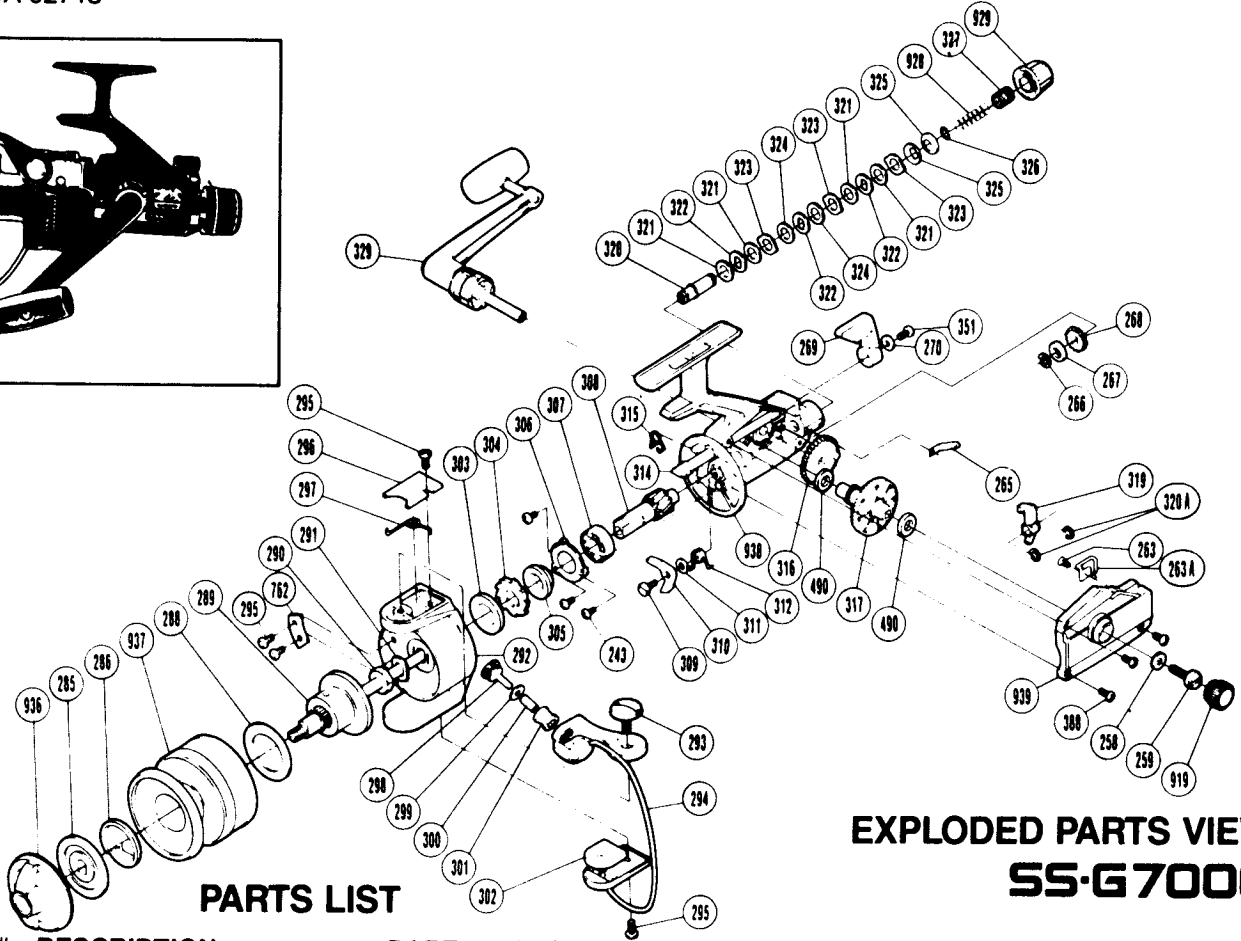
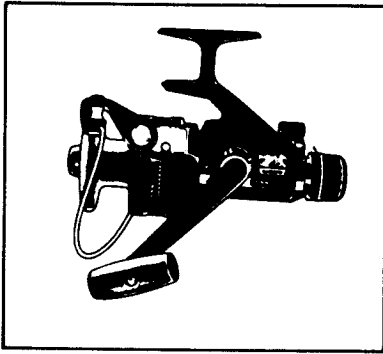
SHIMANO®

1987 REPAIR MANUAL

Shimano American Corporation, One Shimano Dr.
Irvine, CA 92718

TO ORDER:

This reel belongs to the "Rear Drag" series.
Please order parts using the abbreviation
"RD" and the part number.



PARTS LIST

EXPLODED PARTS VIEW SS-G7000

PART # DESCRIPTION

- 243. Bearing Retainer Screw
- 258. Handle Lock Washer
- 259. Handle Lock Screw
- 263. Drag Click Screw
- 263A. Drag Click
- 265. Drag Knob Click Spring
- 266. Click Gear "C" Lock
- 267. Click Gear Spacer
- 268. Click Gear
- 269. Anti-Reverse Lever
- 270. Lock Washer
- 285. Spool Drag Disc
- 286. Click Spring
- 288. Spool Washer
- 289. Main Shaft Assembly
- 290. Rotor Nut
- 291. Rotor Nut Lock Plate
- 292. Rotor
- 293. Bail Arm Screw
- 294. Bail Assembly
- 295. Multi Purpose Screw
- 296. Bail Spring Cover
- 297. Bail Spring

PART # DESCRIPTION

- 298. Line Roller Screw Assembly
- 299. Line Roller Washer
- 300. Line Roller Bushing
- 301. Line Roller
- 302. Counterweight A
- 303. Rotor Spacer
- 304. Anti-Reverse Ratchet
- 305. Pinion Spacer
- 306. Bearing Retainer
- 307. Ball Bearing
- 308. Pinion Gear
- 309. Anti-Reverse Pawl Screw
- 310. Anti-Reverse Pawl
- 311. Anti-Reverse Pawl Spacer
- 312. Anti-Reverse Pawl Spring
- 314. Anti-Reverse Cam Assembly
- 315. Anti-Reverse Cam Spring
- 316. Oscillating Gear Assembly
- 317. Drive Gear
- 319. Oscillating Slider

PART # DESCRIPTION

- 320. Drag Shaft
- 320A. "C" Lock
- 321. Drag Washer "C₂"
- 322. Key Washer "A"
- 323. Eared Washer "B"
- 324. Drag Washer "C₁"
- 325. Coned Disc Spring
- 326. Washers Hold Ring
- 327. Drag Coil Spring
- 329. Handle Assembly
- 351. Anti-Reverse Lever Screw
- 388. Side Cover Screw
- 490. Bushing
- 762. Counterweight B
- 919. Handle Screw Cap
- 928. Drag Hold Spring
- 929. Drag Knob Assembly (Stern)
- 936. Spool Drag Knob Assembly
- 937. Spool Assembly
- 938. Body
- 939. Side Cover