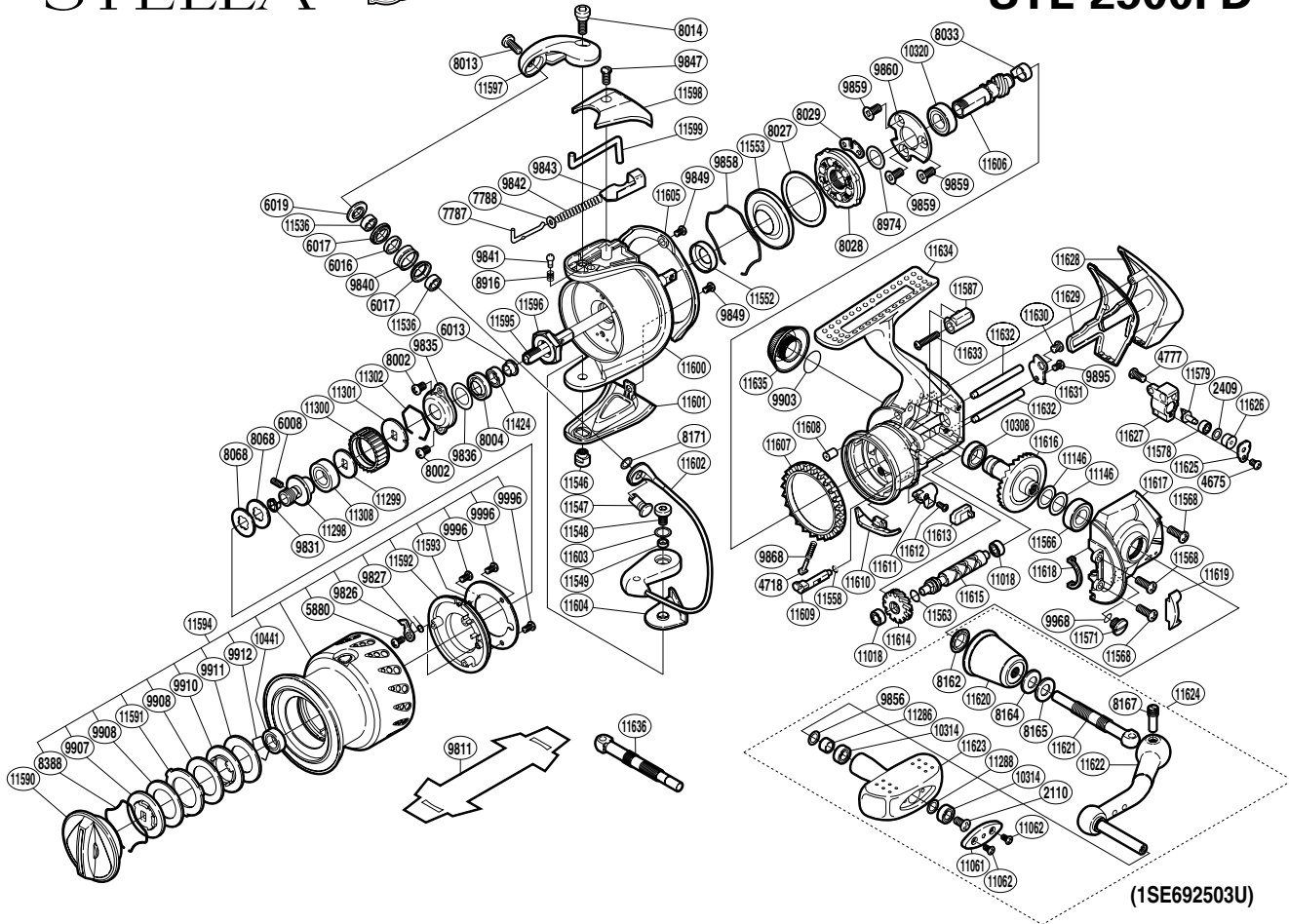


SHIMANO

STELLA SA-RB

STL-2500FD



Part No.	Description	Part No.	Description	Part No.	Description
RD 2110	Screw	RD 9868	Anti-Reverse Cam Spring	RD11594	Spool Assembly
RD 2409	Spacer	RD 9895	Screw	RD11595	Main Shaft
RD 4675	Screw	RD 9903	O Ring	RD11596	Rotor Nut
RD 4718	Lever Spring Guide A	RD 9907	Key Washer	RD11597	Bail Arm
RD 4777	Screw	RD 9908	Drag Washer	RD11598	Bail Spring Cover
RD 5880	Screw	RD 9910	Key Washer	RD11599	Bail Trip Lever
RD 6008	Set Screw	RD 9911	Drag Washer	RD11600	Rotor
RD 6013	Main Shaft Spacer	RD 9912	Bearing Retainer	RD11601	Bail Hold Support Guard
RD 6016	Bearing Spacer	RD 9968	O Ring	RD11602	Bail Assembly
RD 6017	Line Roller Bushing	RD 9996	Screw	RD11603	Washer
RD 6019	Line Roller Plate	RD10308	Ball Bearing	RD11604	Bail Hold Support Spacer
RD 7787	Bail Spring Guide A	RD10314	Ball Bearing	RD11605	Rotor Guard
RD 7788	Spring Guide A Support	RD10320	Ball Bearing	RD11606	Pinion Gear
RD 8002	Screw	RD10441	Ball Bearing	RD11607	Friction Ring
RD 8004	Bearing Water Proof	RD11018	Ball Bearing	RD11608	Body Flange Seal
RD 8013	Screw	RD11061	Handle Knob I.D. Plate	RD11609	Anti-Reverse Cam
RD 8014	Screw	RD11062	Screw	RD11610	Bail Trip Strike
RD 8027	Roller Clutch Outer Spacer	RD11146	Washer	RD11611	Anti-Reverse Lever
RD 8028	Roller Clutch Assembly	RD11286	Handle Knob Shaft Collar	RD11612	Screw
RD 8029	Clutch Insole	RD11288	Washer	RD11613	Anti-Reverse Lever Cover
RD 8033	Bushing	RD11298	Bearing Bushing	RD11614	Idle Gear
RD 8068	Spool Washer	RD11299	Washer	RD11615	Worm Shaft
RD 8162	Handle Shaft Seal	RD11300	Drag Click Ratchet	RD11616	Drive Gear
RD 8164	Coned Disc Spring	RD11301	Spool Support	RD11617	Side Cover
RD 8165	Large Handle Shank Washer	RD11302	Ratchet Spring	RD11618	Flange Water Proof
RD 8167	Handle Shaft Screw	RD11424	Ball Bearing	RD11619	Friction Ring Spacer
RD 8171	Washer	RD11536	Ball Bearing	RD11620	Handle Shaft Cover
RD 8388	Drag Washers Retainer	RD11546	Bail Hold Support Shaft	RD11621	Handle Shaft (left)
RD 8916	Click Spring	RD11547	Line Roller Support	RD11622	Handle Shank Assembly
RD 8974	Washer	RD11548	Screw	RD11623	Handle Knob
RD 9826	Drag Click	RD11549	Screw Collar	RD11624	Handle Assembly
RD 9827	Drag Click Spring	RD11552	Rotor Ring	RD11625	Oscillating Pawl Cover
RD 9831	Bearing Bushing Spacer	RD11553	Roller Clutch Water Proof	RD11626	Oscillating Slider Bushing
RD 9835	Rotor Nut Lock Plate	RD11558	O Ring	RD11627	Oscillating Slider
RD 9836	Washer	RD11563	Worm Shaft Ring	RD11628	Rear Protector
RD 9840	Line Roller	RD11566	Ball Bearing	RD11629	Rear Shield
RD 9841	Click Pin	RD11568	Screw	RD11630	Screw
RD 9842	Bail Spring	RD11571	Oil Cap	RD11631	Worm Shaft Retainer
RD 9843	Bail Spring Seat	RD11578	Ball Bearing	RD11632	Oscillating Guide
RD 9847	Screw	RD11579	Oscillating Pawl	RD11633	Screw
RD 9849	Screw	RD11587	Rear Protector Collar	RD11634	Body
RD 9856	Washer	RD11590	Drag Knob	RD11635	Handle Screw Cap
RD 9858	Roller Clutch Water Proof Retainer	RD11591	Eared Washer		
RD 9859	Screw	RD11592	Spool Pin Cover	RD 9811	Reel Seat Spacer (accessory)
RD 9860	Bearing Retainer	RD11593	Spool Pin Cover Plate	RD11636	Handle Shaft (right) (accessory)