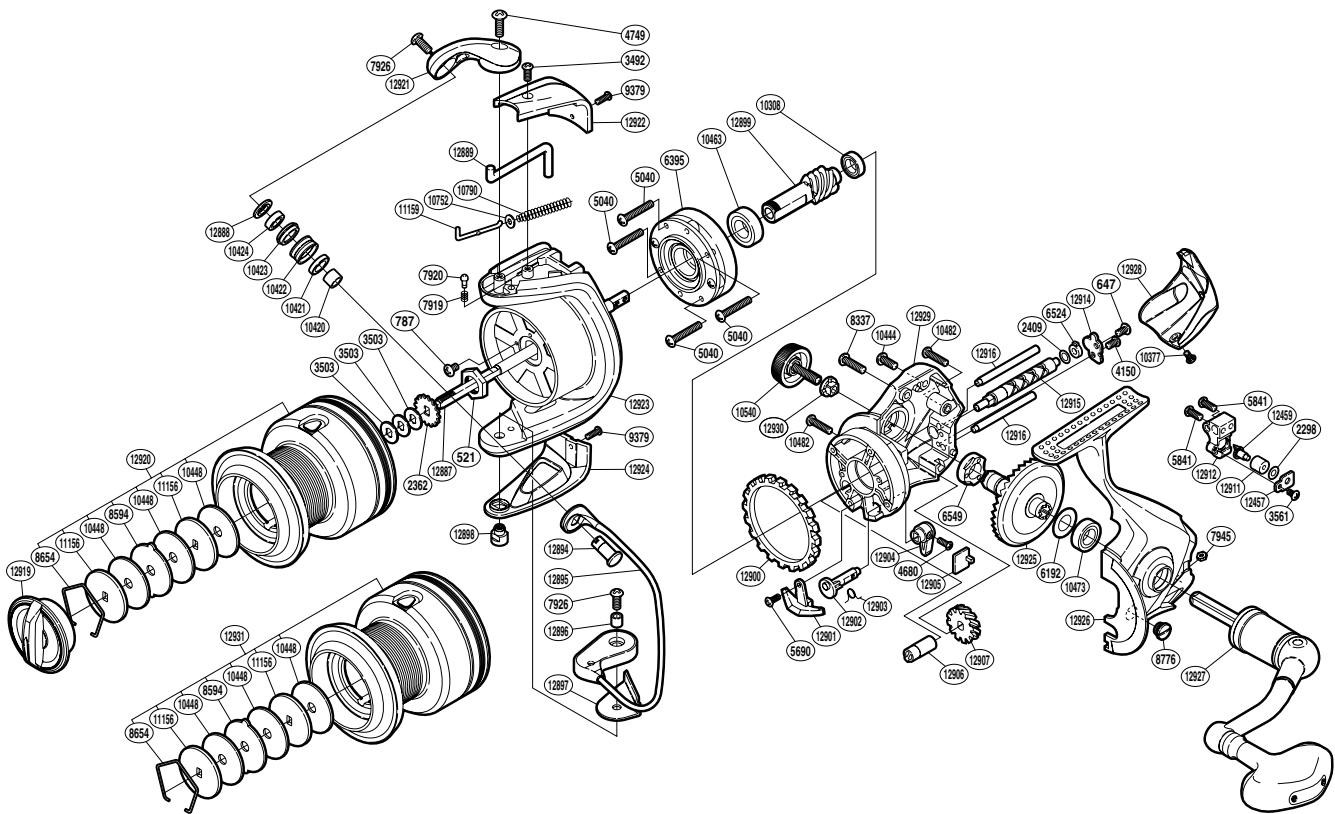


SHIMANO

STRADIC 

STR-6000FC



(1SG086016G)

Please note that the number of adjusting washers may not be the same as shown in the exploded views. (Adjustment will vary with each individual product.)

Part No.	Description	Part No.	Description	Part No.	Description
RD 0521	Rotor Nut	RD10308	Ball Bearing	RD12900	Friction Ring
RD 0647	Screw	RD10377	Screw	RD12901	Bail Trip Strike
RD 0787	Screw	RD10420	Bearing Spacer	RD12902	Anti-Reverse Cam
RD 2298	Spacer	RD10421	Line Roller Collar	RD12903	Anti-Reverse Cam Spring
RD 2362	Spool Support	RD10422	Line Roller	RD12904	Anti-Reverse Lever
RD 2409	Spacer	RD10423	Line Roller Bushing	RD12905	Anti-Reverse Lever Cover
RD 3492	Screw	RD10424	Ball Bearing	RD12906	Worm Bushing (front)
RD 3503	Spool Washer	RD10444	Screw	RD12907	Idle Gear
RD 3561	Screw	RD10448	Drag Washer	RD12911	Oscillating Slider Bushing
RD 4150	Screw	RD10463	Ball Bearing	RD12912	Oscillating Slider
RD 4680	Screw	RD10473	Ball Bearing	RD12914	Worm Shaft Retainer
RD 4749	Screw	RD10482	Screw	RD12915	Worm Shaft
RD 5040	Screw	RD10540	Handle Screw Cap	RD12916	Oscillating Guide
RD 5690	Screw	RD10752	Spring Guide A Support	RD12919	Drag Knob
RD 5841	Screw	RD10790	Bail Spring	RD12920	Spool Assembly
RD 6192	Washer	RD11156	Key Washer	RD12921	Bail Arm
RD 6395	Roller Clutch Assembly	RD11159	Bail Spring Guide A	RD12922	Bail Spring Cover
RD 6524	Worm Bushing (rear)	RD12457	Oscillating Pawl Cover	RD12923	Rotor
RD 6549	Drive Gear Bushing	RD12459	Oscillating Pawl	RD12924	Bail Hold Support Guard
RD 7919	Click Spring	RD12887	Main Shaft	RD12925	Drive Gear
RD 7920	Click Pin	RD12888	Line Roller Washer	RD12926	Side Cover
RD 7926	Screw	RD12889	Bail Trip Lever	RD12927	Handle Assembly
RD 7945	Nut	RD12894	Line Roller Support	RD12928	Rear Protector
RD 8337	Screw	RD12895	Bail Assembly	RD12929	Body
RD 8594	Eared Washer	RD12896	Screw Collar	RD12930	Handle Screw Lock Washer
RD 8654	Drag Washers Retainer	RD12897	Bail Hold Support Spacer		
RD 8776	Oil Cap	RD12898	Bail Hold Support Shaft		
RD 9379	Screw	RD12899	Pinion Gear	RD12931	Spare Spool Assembly

(200606)