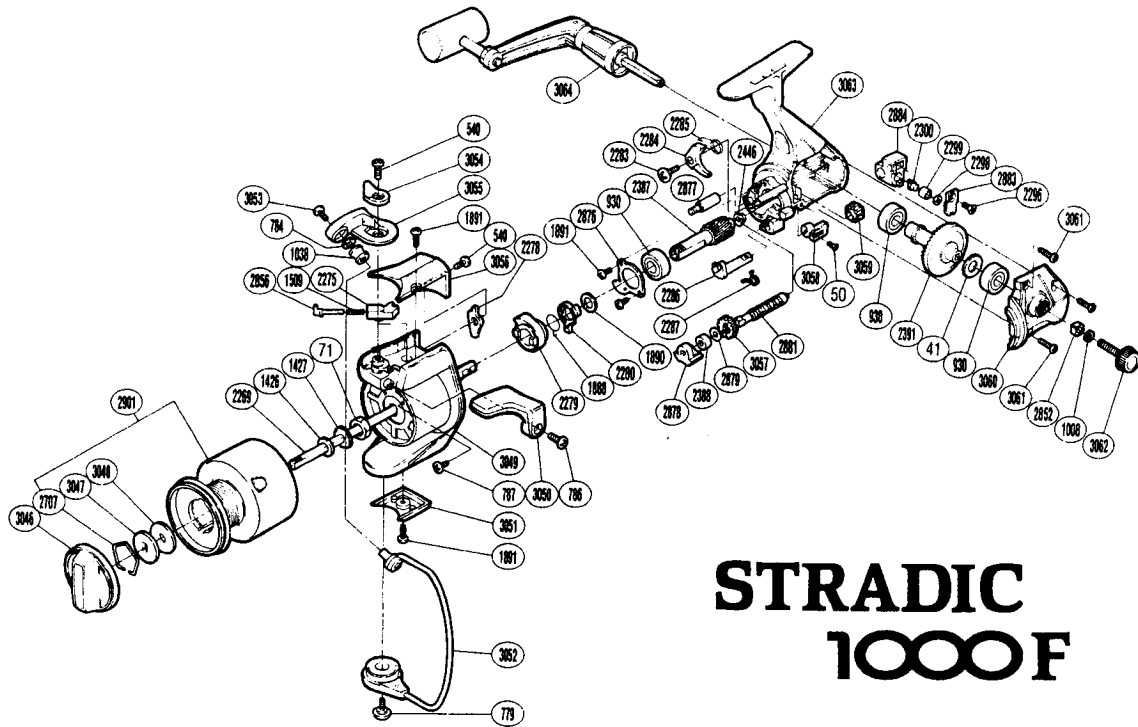


1991 REPAIR MANUAL

Shimano American Corporation, One Shimano Dr.
Irvine, CA 92718



**STRADIC
1000F**

TO ORDER: USE RD PREFIX
WITH PART NUMBER

PARTS LIST

RD #	DESCRIPTION	RD #	DESCRIPTION	RD #	DESCRIPTION
0041	Drive Gear Washer	2283	Anti-Reverse Pawl Screw	2884	Oscillating Slider
0050	Anti-Reverse Lever Screw	2284	Anti-Reverse Pawl	2901	Spool Assembly
0071	Rotor Nut	2285	Anti-Reverse Pawl Spring	3046	Drag Knob
0540	Multi Purpose Screw	2286	Anti-Reverse Cam	3047	Key Washer
0779	Bail Trip Cam Screw	2287	Anti-Reverse Cam Spring	3048	Drag Washer
0784	Line Roller Washer	2296	Slider Retainer Screw	3049	Rotor
0786	Trigger Screw	2298	Spacer	3050	Quick-Fire II Trigger
0787	Nut Lock Screw	2299	Oscillating Slider Bushing	3051	Rotor Side Cover
0930	Ball Bearing	2300	Oscillating Pawl	3052	Bail Assembly
1008	Handle Lock Washer	2387	Pinion Gear	3053	Line Roller Screw
1038	SiC Ceramic Roller	2388	Ball Bearing	3054	Trigger Cam
1426	Spool Washer	2391	Drive Gear	3055	Bail Arm
1427	Spool Support	2446	Bushing	3056	Bail Spring Cover
1509	Bail Spring	2707	Drag Washers Retainer	3057	Idle Gear (A)
1888	Anti-Reverse Lock Out Spring	2852	Handle Screw Lock	3058	Anti-Reverse Lever
1890	Bushing Washer	2856	Bail Spring Guide (A)	3059	Idle Gear (B)
1891	Multi Purpose Screw	2876	Bearing Retainer	3060	Side Cover
2269	Main Shaft	2877	Idle Gear (B) Shaft	3061	Side Cover Screw
2275	Bail Spring Guide (B)	2878	Worm Bearing	3062	Handle Screw Cap
2278	Bail Trip Lever	2879	Worm Shaft Spacer	3063	Body
2279	Anti-Reverse Ratchet	2881	Worm Shaft	3064	Handle Assembly
2280	Anti-Reverse Lock Out	2883	Oscillating Pawl Cover		

Prices and specifications subject to change without notice