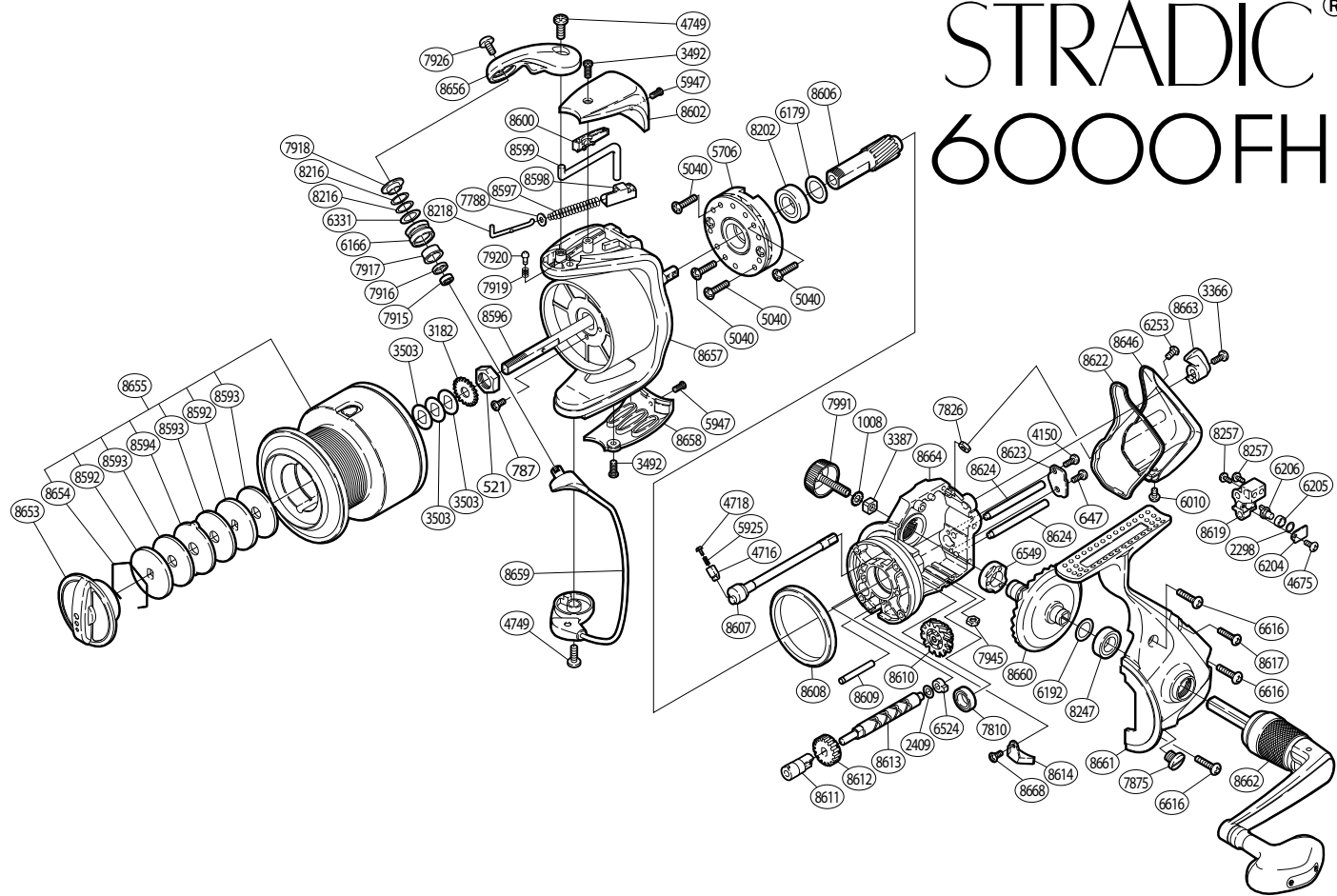


STRADIC® 6000FH 03



Part No.	Description
RD 0521	Rotor Nut
RD 0647	Worm Shaft Retainer Screw (B)
RD 0787	Nut Lock Screw
RD 1008	Handle Lock Washer
RD 2298	Spacer
RD 2409	Worm Shaft Spacer
RD 3182	Spool Support
RD 3366	Anti-Reverse Lever Screw
RD 3387	Handle Screw Lock
RD 3492	Protector Screw (A)
RD 3503	Spool Washer
RD 4150	Worm Shaft Retainer Screw (A)
RD 4675	Oscillating Pawl Cover Screw
RD 4716	Click Spring Guide (B)
RD 4718	Click Spring Guide (A)
RD 4749	Multi-Purpose Screw
RD 5040	Roller Clutch Screw
RD 5706	Roller Clutch Assembly
RD 5925	Click Spring
RD 5947	Protector Screw (B)
RD 6010	Rear Protector Screw (D)
RD 6166	Line Roller
RD 6179	Bearing Washer
RD 6192	Drive Gear Washer
RD 6204	Oscillating Pawl Cover
RD 6205	Oscillating Slider Bushing
RD 6206	Oscillating Pawl
RD 6253	Rear Protector Screw (C)
RD 6331	Line Roller Spacer

Part No.	Description
RD 6524	Worm Bushing (rear)
RD 6549	Drive Gear Bushing
RD 6616	Side Cover Screw (large)
RD 7788	Spring Guide (A) Support
RD 7810	Ball Bearing
RD 7826	Rear Protector Nut (A)
RD 7875	Oil Cap
RD 7915	Line Roller Bearing
RD 7916	Bearing Spacer
RD 7917	Line Roller Bushing
RD 7918	Line Roller Washer
RD 7919	Click Spring
RD 7920	Click Pin
RD 7926	Line Roller Screw
RD 7945	Rear Protector Nut (B)
RD 7991	Handle Screw Cap
RD 8202	Ball Bearing
RD 8216	Adjusting Washer
RD 8218	Bail Spring Guide (A)
RD 8247	Ball Bearing
RD 8257	Slider Retainer Screw
RD 8592	Key Washer
RD 8593	Drag Washer
RD 8594	Eared Washer
RD 8596	Main Shaft
RD 8597	Bail Spring
RD 8598	Bail Spring Seat
RD 8599	Bail Trip Lever
RD 8600	Bail Trip Cover

Part No.	Description
RD 8602	Bail Spring Cover
RD 8606	Pinion Gear
RD 8607	Anti-Reverse Cam
RD 8608	Friction Ring
RD 8609	Idle Gear (B) Shaft
RD 8610	Idle Gear (B)
RD 8611	Worm Bushing (front)
RD 8612	Idle Gear
RD 8613	Worm Shaft
RD 8614	Bail Trip Strike
RD 8617	Side Cover Screw (small)
RD 8619	Oscillating Slider
RD 8622	Rear Shield
RD 8623	Worm Shaft Retainer
RD 8624	Oscillating Guide
RD 8646	Rear Protector
RD 8653	Drag Knob
RD 8654	Drag Washers Retainer
RD 8655	Spool Assembly
RD 8656	Bail Arm
RD 8657	Rotor
RD 8658	Bail Hold Support Guard
RD 8659	Bail Assembly
RD 8660	Drive Gear
RD 8661	Side Cover
RD 8662	Handle Assembly
RD 8663	Anti-Reverse Lever
RD 8664	Body
RD 8668	Bail Trip Strike Screw