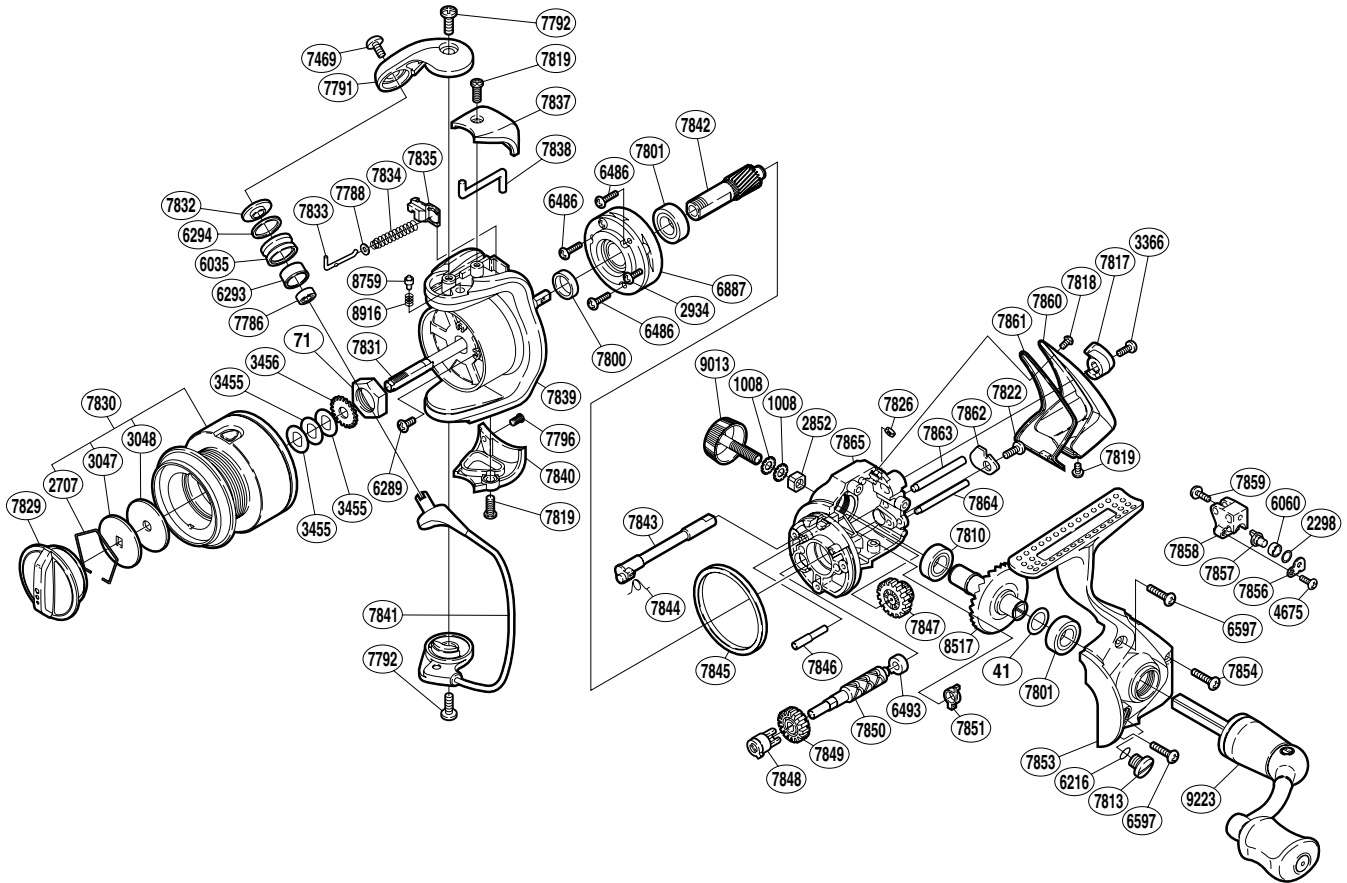


SHIMANO®

SUSTAIN®

SA-1000FD



Part No.	Description	Part No.	Description	Part No.	Description
RD0041	Drive Gear Washer	RD7791	Bail Arm	RD7844	Anti-Reverse Cam Spring
RD0071	Rotor Nut	RD7792	Multi-Purpose Screw	RD7845	Friction Ring
RD1008	Handle Lock Washer	RD7796	Bail Hold Support Guard Screw	RD7846	Idle Gear (B) Shaft
RD2298	Spacer	RD7800	Rotor Ring	RD7847	Idle Gear (B)
RD2707	Drag Washers Retainer	RD7801	Ball Bearing	RD7848	Worm Bushing (front)
RD2852	Handle Screw Lock	RD7810	Ball Bearing	RD7849	Idle Gear
RD2934	Clutch Cover Screw	RD7813	Oil Cap	RD7850	Worm Shaft
RD3047	Key Washer	RD7817	Anti-Reverse Lever	RD7851	Bushing
RD3048	Drag Washer	RD7818	Rear Protector Screw (B)	RD7853	Side Cover
RD3366	Anti-Reverse Lever Screw	RD7819	Multi-Purpose Screw	RD7854	Side Cover Screw (C)
RD3455	Spool Washer	RD7822	Worm Shaft Retainer Screw	RD7856	Oscillating Pawl Cover
RD3456	Spool Support	RD7826	Rear Protector Nut	RD7857	Oscillating Pawl
RD4675	Oscillating Pawl Cover Screw	RD7829	Drag Knob	RD7858	Oscillating Slider
RD6035	Line Roller	RD7830	Spool Assembly	RD7859	Slider Retainer Screw
RD6060	Oscillating Slider Bushing	RD7831	Main Shaft	RD7860	Rear Protector
RD6216	"O" Ring	RD7832	Line Roller Washer	RD7861	Rear Shield
RD6289	Nut Lock Screw	RD7833	Bail Spring Guide (A)	RD7862	Worm Shaft Retainer
RD6293	Line Roller Bushing	RD7834	Bail Spring	RD7863	Oscillating Guide (A)
RD6294	Line Roller Spacer	RD7835	Bail Spring Seat	RD7864	Oscillating Guide (B)
RD6486	Roller Clutch Screw	RD7837	Bail Spring Cover	RD7865	Body
RD6493	Worm Bushing (rear)	RD7838	Bail Trip Lever	RD8517	Drive Gear
RD6597	Side Cover Screw (B)	RD7839	Rotor	RD8759	Click Pin
RD6887	Roller Clutch Assembly	RD7840	Bail Hold Support Guard	RD8916	Click Spring
RD7469	Line Roller Screw	RD7841	Bail Assembly	RD9013	Handle Screw Cap
RD7786	Ball Bearing	RD7842	Pinion Gear	RD9223	Handle Assembly
RD7788	Spring Guide (A) Support	RD7843	Anti-Reverse Cam		