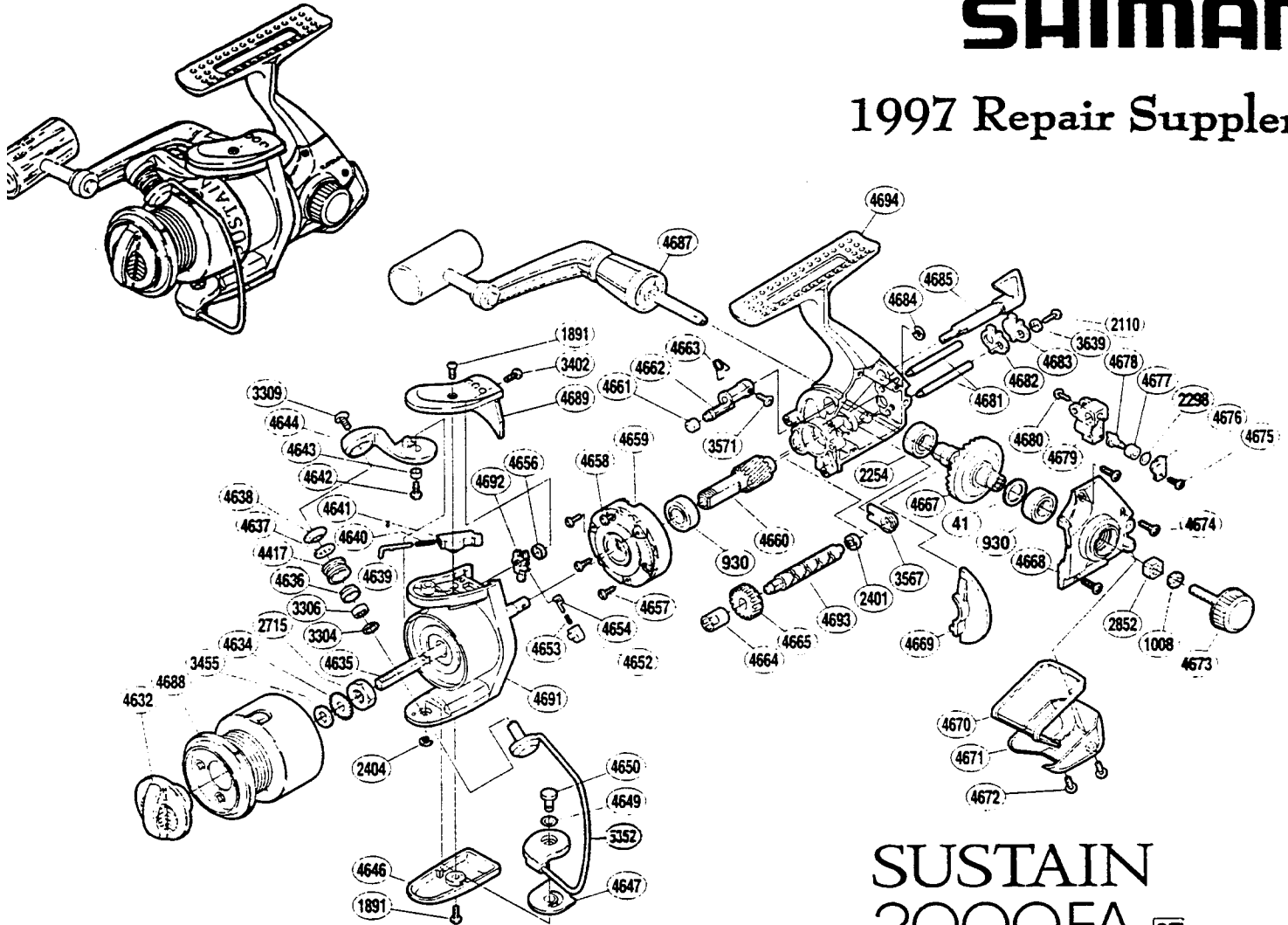


SHIMAN

1997 Repair Supplen



SUSTAIN 2000FA 97

SA2000FA

Part #	Description	Part #	Description	Part #	Description
RD 0041	Drive Gear Washer	RD 4639	Bail Spring Guide (B)	RD 4670	Rear Shield
RD 0930	Bail Bearing	RD 4640	Bail Spring	RD 4671	Rear Protector
RD 1008	Handle Lock Washer	RD 4641	Bail Spring Guide (A)	RD 4672	Rear Protector Screw
RD 1891	Cover Screw (Large)	RD 4642	Bail Arm Screw	RD 4673	Handle Screw Cap
RD 2110	Worm Shaft Retainer Screw	RD 4643	Bail Arm Bushing	RD 4674	Side Cover Screw
RD 2254	Bail Bearing	RD 4644	Bail Arm	RD 4675	Oscillating Pawl Cover Screw
RD 2298	Spacer	RD 4646	Bail Hold Support Guard	RD 4676	Oscillating Pawl Cover
RD 2401	Bail Bearing	RD 4647	Bail Hold Support Spacer	RD 4677	Oscillating Slider Bushing
RD 2404	"E" Lock	RD 4649	Spacer	RD 4678	Oscillating Pawl
RD 2715	Rotor Nut	RD 4650	Bail Hold Support Shaft	RD 4679	Oscillating Slider
RD 2852	Handle Screw Lock	RD 4652	Lever Spring Guide (B)	RD 4680	Slider Retainer Screw
RD 3304	Bearing Spacer	RD 4653	Lever Spring	RD 4681	Oscillating Guide
RD 3306	Line Roller Bearing	RD 4654	Lever Spring Guide (A)	RD 4682	Worm Shaft Retainer Washer
RD 3309	Line Roller Screw	RD 4656	Trip Lever Spacer	RD 4683	Worm Shaft Retainer
RD 3402	Bail Spring Cover Screw (Sm)	RD 4657	Roller Clutch Screw	RD 4684	"E" Lock
RD 3455	Spool Washer	RD 4658	Clutch Cover Screw	RD 4685	Anti-Reverse Lever
RD 3567	Bushing	RD 4659	Roller Clutch Assembly	RD 4687	Handle Assembly
RD 3571	Anti-Reverse Cam Screw	RD 4660	Pinion Gear	RD 4688	Spool Assembly
RD 3639	Worm Shaft Retainer Spacer	RD 4661	Anti-Reverse Cam Ring	RD 4689	Bail Spring Cover
RD 4417	Line Roller	RD 4662	Anti-Reverse Cam	RD 4691	Rotor
RD 4632	Drag Knob	RD 4663	Anti-Reverse Cam Spring	RD 4692	Bail Trip Lever
RD 4634	Spool Support	RD 4664	Worm Bushing	RD 4693	Worm Shaft
RD 4635	Main Shaft	RD 4665	Idle Gear	RD 4694	Body
RD 4636	Line Roller Bushing	RD 4667	Drive Gear	RD 5352	Bail Assembly
RD 4637	Line Roller Spacer	RD 4668	Side Cover		
RD 4638	Line Roller Washer	RD 4669	Side Cover Flange		